

SMC072\_

**Modular Supports for PCB**  
For 72mm Wide Boards  
PA 6.6 UL94 V-0

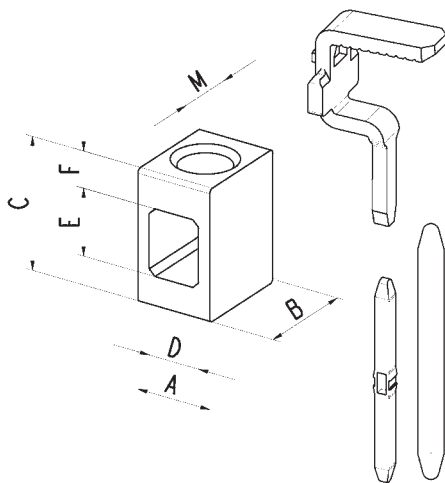
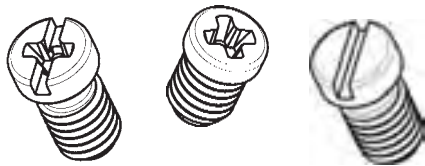


**Components**



Clamps, Screws, Pins

Clamps, Screws and Pins with standard geometric measures are available **from stock**. Custom designs can be obtained **on request**. **On request** all metallic components can be **gold plated** with a minimum thickness. The gold plating can also be customized according to the customer specifications.



SMC107\_

**Modular Supports for PCB**  
For 107mm Wide Boards  
PA 6.6 UL94 V-0



**Components**



SRC

**DIN RAIL BOXES**  
Blend PC/ABS UL94 V-0



**Accessories**



STC072\_

**Extruded Supports for PCB**  
For 72mm Wide Boards  
PVC/PA 6.6 UL94 V-0



**Components**



STC107\_

**Extruded Supports for PCB**  
For 107mm Wide Boards  
PVC/PA 6.6 UL94 V-0



**Components**



SUPPORTS

Dimensions are in inches and millimeters unless otherwise specified. Values in parentheses are metric equivalents.



**Curtis Industries**  
A Division of Powers Holdings, Inc.

1-800-657-0853