

# OK431 NY-F Series

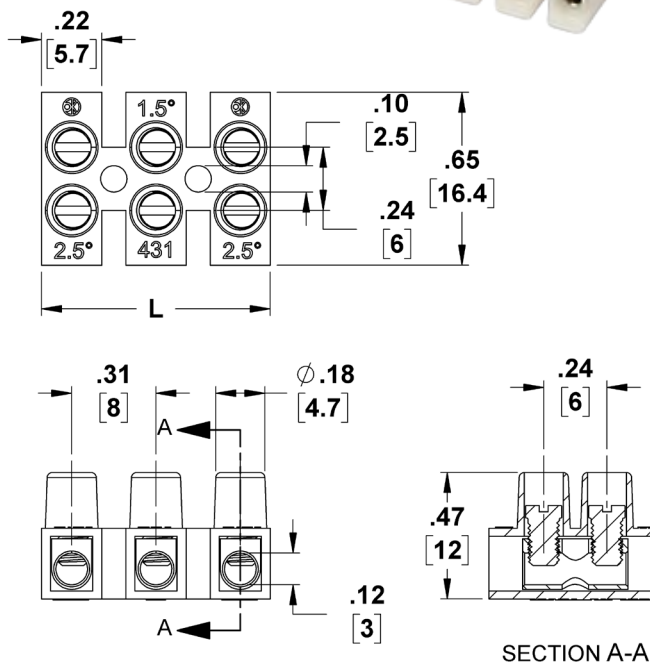
## 8.0mm Center-to-Center Spacing

### General Information

KORNER OK 431 NY-F Series, UL File E73420  
(Distributed by Curtis Industries)

### Material Information

- LP Designates Wire Protection,
- Body: Natural Polyamide, PA6.6 (Nylon)
- Inserts: Brass, Nickel-Plated, with Stainless Steel Plate (-LP)
- Screws: Steel, Zinc-Plated
- Min. Torque Requirement: 0.6 Nm (5.31 inch lbs) Per UL 1059
- Rated Temperature: 115°C Max
- Flame Rating: UL94 V2



### Safety Approvals



CEI EN 60998-1 / CEI EN 60998-2-1

T 115°C / UL 486 E

Number of Terminals	Standard Terminal Strip		with Wire Protector (-LP)		Length (L)	
	Part Number	Elec. Ratings	Part Number	Elec. Ratings	(In.)	(mm)
1	OK431/1 NY-F	15A/600V (14AWG)	OK431/1 NY-FLP	10A/600V (16AWG)	0.23	5.7
2	OK431/2 NY-F		OK431/2 NY-FLP		0.54	13.7
3	OK431/3 NY-F		OK431/3 NY-FLP		0.85	21.7
4	OK431/4 NY-F		OK431/4 NY-FLP		1.17	29.7
5	OK431/5 NY-F	24A/450V (2.5mm <sup>2</sup> )	OK431/5 NY-FLP	17.5A/450V (1.5mm <sup>2</sup> )	1.48	37.7
6	OK431/6 NY-F		OK431/6 NY-FLP		1.80	45.7
7	OK431/7 NY-F		OK431/7 NY-FLP		2.11	53.7
8	OK431/8 NY-F		OK431/8 NY-FLP		2.43	61.7
9	OK431/9 NY-F		OK431/9 NY-FLP		2.74	69.7
10	OK431/10 NY-F		OK431/10 NY-FLP		3.06	77.7
11	OK431/11 NY-F		OK431/11 NY-FLP		3.37	85.7
12	OK431/12 NY-F		OK431/12 NY-FLP		3.69	93.7