

# MPP



**Dimensional class:**  
*high*



**Standard colour:**  
*green*



**Height:**  
*39 mm (15.35 in)*



**Max approved wire sections:**  
*solid: 35 mm<sup>2</sup> (IEC EN); 1 AWG (UL)*  
*stranded: 25 mm<sup>2</sup> (IEC EN); 1 AWG (UL)*  
**Clamp opening size:**  
*8.7 x 8.2 mm (3.43 x 3.23 in)*



**Versions:**  
*side stackable*



*modular*



*mounting flanges*

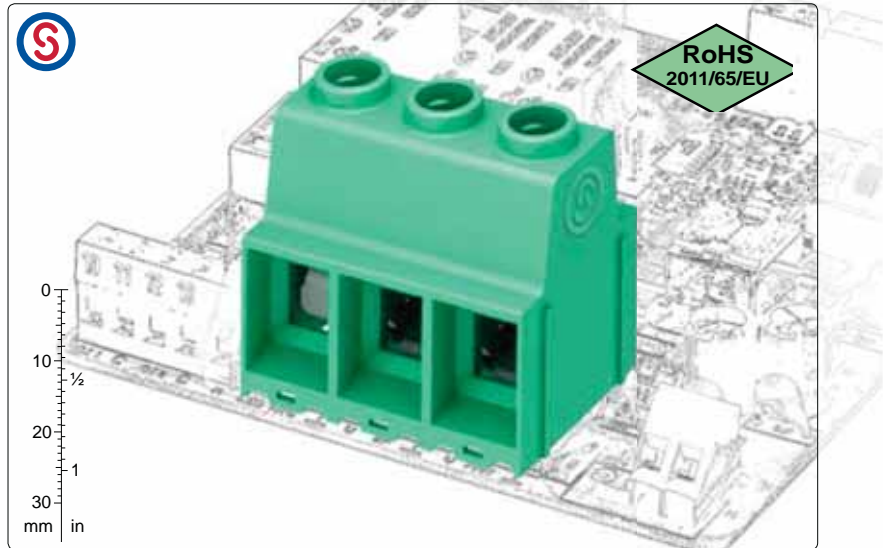
**single mould poles:**  
*from 2 to 12*



**Pitches:**  
*metric 15 mm*  
*(.591 in)*



**Solderable at a temperature up to**  
*270°C / 518°F*



pitch 15 mm  
from 2 to 12 poles  
modular



pitch 15 mm  
from 2 to 12 poles  
modular with or without base

The **MPP** series of terminal blocks offers a **high connection capacity**; in fact it can wire up to **35 mm<sup>2</sup> (1 AWG)** and consequently a certified current range of **135A can be reached**.

The terminal block is available in 15 mm (.591 in) Imperial pitches in monolithic blocks from 2 to 12 poles in both side-stackable and modular versions or with a flange which fixes it to the PCB, with insertion of the wire parallel to the board and pegs to prevent an incorrect manual assembly.

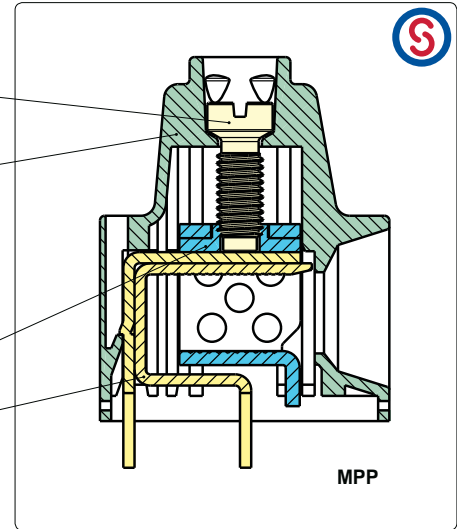
The basic monolithic terminal blocks can be stacked or mounted on the PCB in order to obtain any number of poles without losing the pitch; by taking advantage of this particular characteristic a minimum stock of basic terminal blocks can be kept.

It is simple to manage the product, the warehouse and the assembly with **Kit packages** because several versions can be achieved with only one code, the part-numbers are significantly reduced and the risk of making mistakes is also reduced.

### MPP with polarization pegs

The straight MPP terminal block is also available with clamping pegs moulded into the plastic housing to secure it to the PCB. This solution allows the application of the nominal tightening torque and prevents an incorrect assembly of the terminal block. In this way, the most restrictive guidelines set by the international standards (VDE) are passed.

- M5 nickel plated steel screw.
- Polyamide housing.  
Standard colour: GREEN.  
V0 self-extinguishing according to UL 94.  
Chlorinated solvents resistant,  
with no phosphor, dioxin or detrimental to health halogens.  
Material Group I (CTI ≥ 600 V)
- Nickel plated steel clamp
- Easy to solder lead-free  
tin-plated copper alloy pin.

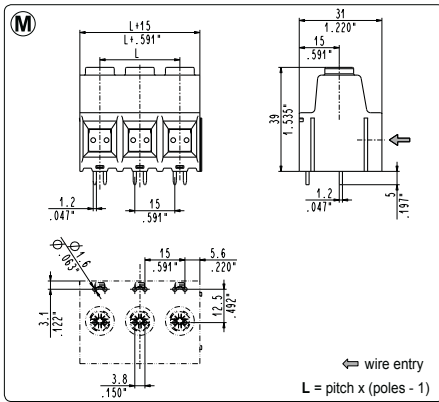


Recommended/highest tightening torque	2.1/2.5 Nm (18.59/22.13 lbf-in)
PCB thickness:	max. 2.4 mm (.094 in)
PCB hole diameter:	min. 1.6 mm (.063 in)
Stripping length	18 mm (.71 in)
Operating temperature range	-40 °C + +110 °C (-40 °F + +230 °F)
Climatic category	40/110/21 According to EN 60068-1

Solid wire section	20+1 AWG (UL)* 0.5 + 35 mm <sup>2</sup> (IEC EN)*
Stranded wire section	20+1 AWG (UL)* 0.5 + 25 mm <sup>2</sup> (IEC EN)*
Rated voltage for 15 mm (.591 in) pitch	1000 V (IEC EN)*
Rated current	135 A (UL)*
Contact resistance	<15 mΩ
Insulation resistance	>10 <sup>9</sup> Ω (500V DC)

*\*All the above mentioned data refer to the highest values amongst the certified ones.  
V voltage, I current values and tightening torque are related to the norms to be applied to the product and to its use.*

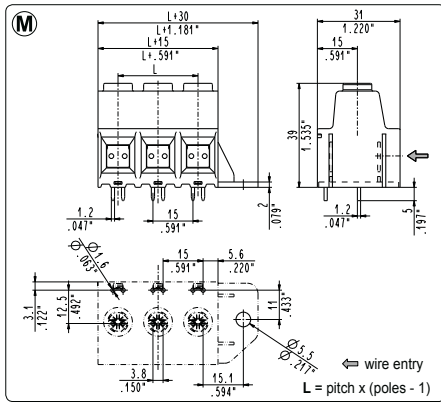
	IEC: EN 60998	1000 V - T 110 - 125 A - 35 mm <sup>2</sup> solid (115 A - 25 mm <sup>2</sup> stranded) for 15 mm pitch
	UL: file E167473	600 V - 135 A factory wiring (130 A field wiring) - 1 AWG - 2.5 Nm for 15 mm pitch Application values for end-use equipment have to be in accordance to UL norms and applicable to them.
	VDE: <b>pending</b>	1000 V - 125 A - T 110 - 35 mm <sup>2</sup> for 15 mm pitch
	IMQ: <b>pending</b>	1000 V - T 110 - 125 A - 35 mm <sup>2</sup> solid (115 A - 25 mm <sup>2</sup> stranded) for 15 mm pitch



**MPP\_D0Q** straight, modular

15 mm / .591" pitch

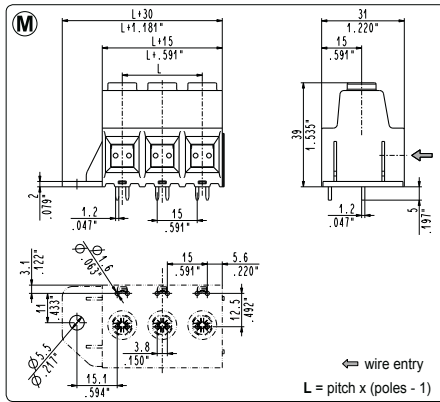
Poles	STD Code	Pcs/pack.	W [kg]*	Pcs/Ind.**	W [kg]*
02	MPP02D0Q	50	2,20	250	11,00
03	MPP03D0Q	40	2,64	180	11,88
04	MPP04D0Q	30	2,64	125	11,00
05	MPP05D0Q	25	2,75	100	11,00
06	MPP06D0Q	20	2,64	75	9,90
07	MPP07D0Q	15	2,31	75	11,55
08	MPP08D0Q	15	2,64	50	8,80
09	MPP09D0Q	10	1,98	50	9,90
10	MPP10D0Q	10	2,20	50	11,00
11	MPP11D0Q	10	2,42	50	12,10
12	MPP12D0Q	10	2,64	40	10,56



**MPP\_D0Q-00D** straight, modular, mounting flanges

15 mm / .591" pitch

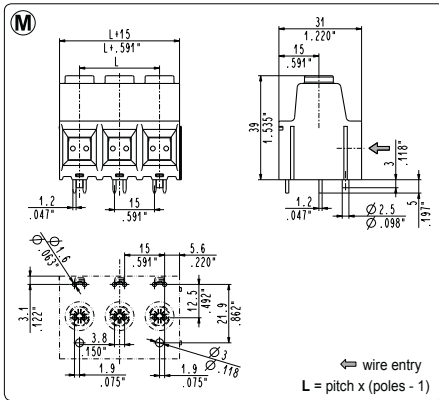
Poles	STD Code	Pcs/pack.	W [kg]*	Pcs/Ind.**	W [kg]*
01	MPP01D0Q-00D	50	1,10	500	11,00
02	MPP02D0Q-00D	40	1,76	250	11,00
03	MPP03D0Q-00D	30	1,98	175	11,55
04	MPP04D0Q-00D	25	2,20	125	11,00
05	MPP05D0Q-00D	20	2,20	100	11,00
06	MPP06D0Q-00D	15	1,98	75	9,90
07	MPP07D0Q-00D	15	2,31	75	11,55
08	MPP08D0Q-00D	10	1,76	50	8,80
09	MPP09D0Q-00D	10	1,98	50	9,90
10	MPP10D0Q-00D	10	2,20	50	11,00
11	MPP11D0Q-00D	10	2,42	40	9,68
12	MPP12D0Q-00D	10	2,64	40	10,55



**MPP\_D0Q-00S** straight, modular, mounting flanges

15 mm / .591" pitch

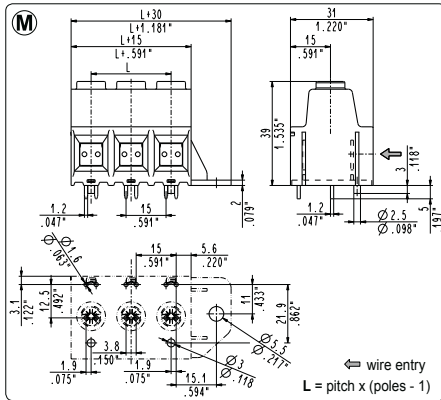
Poles	STD Code	Pcs/pack.	W [kg]*	Pcs/Ind.**	W [kg]*
01	MPP01D0Q-00S	50	1,10	500	11,00
02	MPP02D0Q-00S	40	1,76	250	11,00
03	MPP03D0Q-00S	30	1,98	175	11,55
04	MPP04D0Q-00S	25	2,20	125	11,00
05	MPP05D0Q-00S	20	2,20	100	11,00
06	MPP06D0Q-00S	15	1,98	75	9,90
07	MPP07D0Q-00S	15	2,31	75	11,55
08	MPP08D0Q-00S	10	1,76	50	8,80
09	MPP09D0Q-00S	10	1,98	50	9,90
10	MPP10D0Q-00S	10	2,20	50	11,00
11	MPP11D0Q-00S	10	2,42	40	9,68
12	MPP12D0Q-00S	10	2,64	40	10,55



**MPP\_D0Q-0000P** straight, modular, pegs

15 mm / .591" pitch

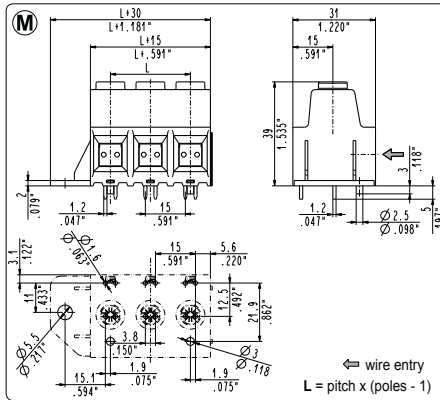
Poles	STD Code	Pcs/pack.	W [kg]*	Pcs/Ind.**	W [kg]*
02	MPP02D0Q-0000P	50	2,20	250	11,00
03	MPP03D0Q-0000P	40	2,64	180	11,88
04	MPP04D0Q-0000P	30	2,64	125	11,00
05	MPP05D0Q-0000P	25	2,75	100	11,00
06	MPP06D0Q-0000P	20	2,64	75	9,90
07	MPP07D0Q-0000P	15	2,31	75	11,55
08	MPP08D0Q-0000P	15	2,64	50	8,80
09	MPP09D0Q-0000P	10	1,98	50	9,90
10	MPP10D0Q-0000P	10	2,20	50	11,00
11	MPP11D0Q-0000P	10	2,42	50	12,10
12	MPP12D0Q-0000P	10	2,64	40	10,56



**MPP\_D0Q-00D0P** straight, right mounting flanges, pegs

15 mm / .591" pitch

Poles	STD Code	Pcs/pack.	W [kg]*	Pcs/Ind.**	W [kg]*
01	MPP01D0Q-00D0P	50	1,10	500	11,00
02	MPP02D0Q-00D0P	40	1,76	250	11,00
03	MPP03D0Q-00D0P	30	1,98	175	11,55
04	MPP04D0Q-00D0P	25	2,20	125	11,00
05	MPP05D0Q-00D0P	20	2,20	100	11,00
06	MPP06D0Q-00D0P	15	1,98	75	9,90
07	MPP07D0Q-00D0P	15	2,31	75	11,55
08	MPP08D0Q-00D0P	10	1,76	50	8,80
09	MPP09D0Q-00D0P	10	1,98	50	9,90
10	MPP10D0Q-00D0P	10	2,20	50	11,00
11	MPP11D0Q-00D0P	10	2,42	40	9,68
12	MPP12D0Q-00D0P	10	2,64	40	10,55



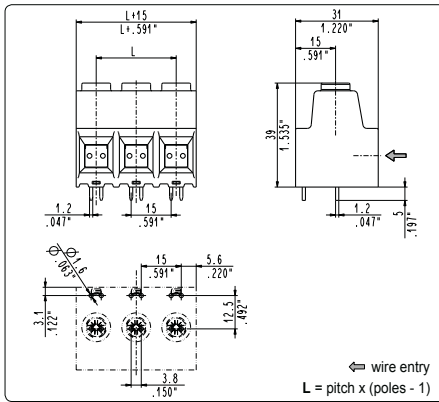
**MPP\_D0Q-00S0P** straight, left mounting flanges, pegs

15 mm / .591" pitch

Poles	STD Code	Pcs/pack.	W [kg]*	Pcs/Ind.**	W [kg]*
01	MPP01D0Q-00S0P	50	1,10	500	11,00
02	MPP02D0Q-00S0P	40	1,76	250	11,00
03	MPP03D0Q-00S0P	30	1,98	175	11,55
04	MPP04D0Q-00S0P	25	2,20	125	11,00
05	MPP05D0Q-00S0P	20	2,20	100	11,00
06	MPP06D0Q-00S0P	15	1,98	75	9,90
07	MPP07D0Q-00S0P	15	2,31	75	11,55
08	MPP08D0Q-00S0P	10	1,76	50	8,80
09	MPP09D0Q-00S0P	10	1,98	50	9,90
10	MPP10D0Q-00S0P	10	2,20	50	11,00
11	MPP11D0Q-00S0P	10	2,42	40	9,68
12	MPP12D0Q-00S0P	10	2,64	40	10,55

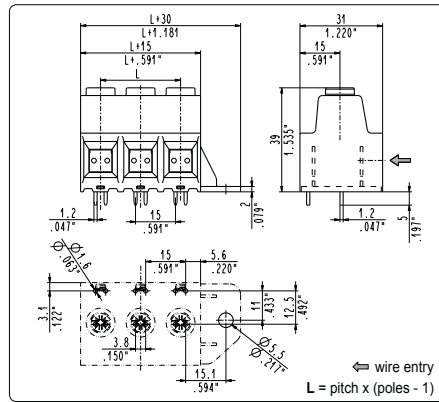
\*W [kg]: approximate weight per box in kg

\*\*industrial packaging: add "00000E" at standard code



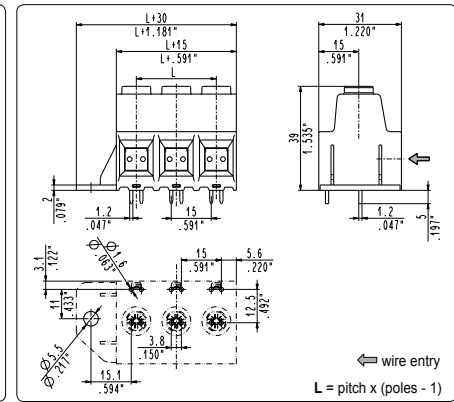
**MPP\_DAQ** straight, side stackable

15 mm / .591" pitch		Poles	STD Code	Pcs/pack.	W [kg]*	Pcs/Ind.**	W [kg]*
02	MPP02DAQ	50	2,20	250	11,00		
03	MPP03DAQ	40	2,64	180	11,88		
04	MPP04DAQ	30	2,64	125	11,00		
05	MPP05DAQ	25	2,75	100	11,00		
06	MPP06DAQ	20	2,64	75	9,90		
07	MPP07DAQ	15	2,31	75	11,55		
08	MPP08DAQ	15	2,64	50	8,80		
09	MPP09DAQ	10	1,98	50	9,90		
10	MPP10DAQ	10	2,20	50	11,00		
11	MPP11DAQ	10	2,42	50	12,10		
12	MPP12DAQ	10	2,64	40	10,56		



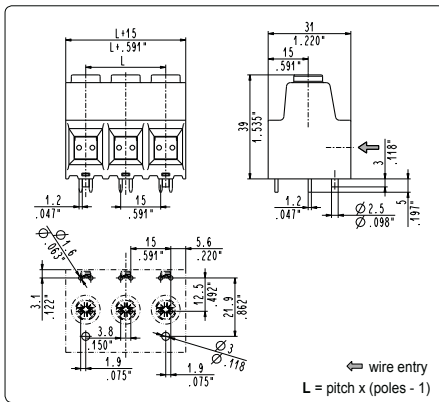
**MPP\_DAQ-00D** straight, side stackable, mounting flanges

15 mm / .591" pitch		Poles	STD Code	Pcs/pack.	W [kg]*	Pcs/Ind.**	W [kg]*
01	MPP01DAQ-00D	50	1,10	500	11,00		
02	MPP02DAQ-00D	40	1,76	250	11,00		
03	MPP03DAQ-00D	30	1,98	175	11,55		
04	MPP04DAQ-00D	25	2,20	125	11,00		
05	MPP05DAQ-00D	20	2,20	100	11,00		
06	MPP06DAQ-00D	15	1,98	75	9,90		
07	MPP07DAQ-00D	15	2,31	75	11,55		
08	MPP08DAQ-00D	10	1,76	50	8,80		
09	MPP09DAQ-00D	10	1,98	50	9,90		
10	MPP10DAQ-00D	10	2,20	50	11,00		
11	MPP11DAQ-00D	10	2,42	40	9,68		
12	MPP12DAQ-00D	10	2,64	40	10,55		



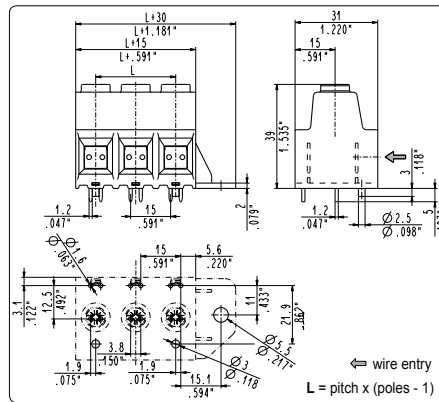
**MPP\_DAQ-00S** straight, side stackable, mounting flanges

15 mm / .591" pitch		Poles	STD Code	Pcs/pack.	W [kg]*	Pcs/Ind.**	W [kg]*
01	MPP01DAQ-00S	50	1,10	500	11,00		
02	MPP02DAQ-00S	40	1,76	250	11,00		
03	MPP03DAQ-00S	30	1,98	175	11,55		
04	MPP04DAQ-00S	25	2,20	125	11,00		
05	MPP05DAQ-00S	20	2,20	100	11,00		
06	MPP06DAQ-00S	15	1,98	75	9,90		
07	MPP07DAQ-00S	15	2,31	75	11,55		
08	MPP08DAQ-00S	10	1,76	50	8,80		
09	MPP09DAQ-00S	10	1,98	50	9,90		
10	MPP10DAQ-00S	10	2,20	50	11,00		
11	MPP11DAQ-00S	10	2,42	40	9,68		
12	MPP12DAQ-00S	10	2,64	40	10,55		



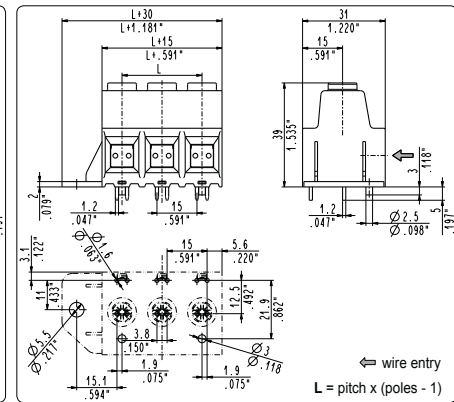
**MPP\_DAQ-0000P** straight, side stackable, pegs

15 mm / .591" pitch		Poles	STD Code	Pcs/pack.	W [kg]*	Pcs/Ind.**	W [kg]*
02	MPP02DAQ-0000P	50	2,20	250	11,00		
03	MPP03DAQ-0000P	40	2,64	180	11,88		
04	MPP04DAQ-0000P	30	2,64	125	11,00		
05	MPP05DAQ-0000P	25	2,75	100	11,00		
06	MPP06DAQ-0000P	20	2,64	75	9,90		
07	MPP07DAQ-0000P	15	2,31	75	11,55		
08	MPP08DAQ-0000P	15	2,64	50	8,80		
09	MPP09DAQ-0000P	10	1,98	50	9,90		
10	MPP10DAQ-0000P	10	2,20	50	11,00		
11	MPP11DAQ-0000P	10	2,42	50	12,10		
12	MPP12DAQ-0000P	10	2,64	40	10,56		



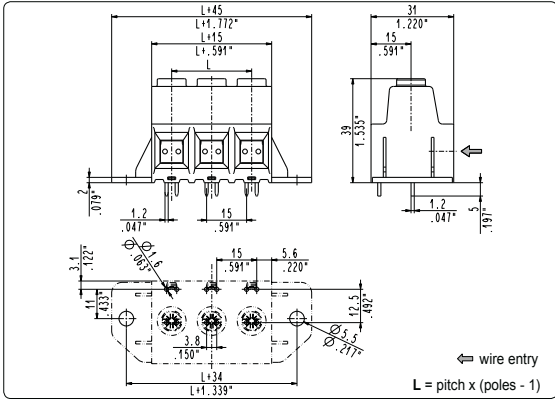
**MPP\_DAQ-00D0P** straight, side stackable, flanges, pegs

15 mm / .591" pitch		Poles	STD Code	Pcs/pack.	W [kg]*	Pcs/Ind.**	W [kg]*
01	MPP01DAQ-00D0P	50	1,10	500	11,00		
02	MPP02DAQ-00D0P	40	1,76	250	11,00		
03	MPP03DAQ-00D0P	30	1,98	175	11,55		
04	MPP04DAQ-00D0P	25	2,20	125	11,00		
05	MPP05DAQ-00D0P	20	2,20	100	11,00		
06	MPP06DAQ-00D0P	15	1,98	75	9,90		
07	MPP07DAQ-00D0P	15	2,31	75	11,55		
08	MPP08DAQ-00D0P	10	1,76	50	8,80		
09	MPP09DAQ-00D0P	10	1,98	50	9,90		
10	MPP10DAQ-00D0P	10	2,20	50	11,00		
11	MPP11DAQ-00D0P	10	2,42	40	9,68		
12	MPP12DAQ-00D0P	10	2,64	40	10,55		



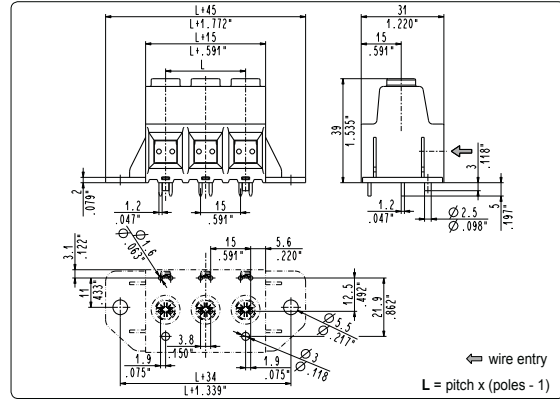
**MPP\_DAQ-00S0P** straight, side stackable, flanges, pegs

15 mm / .591" pitch		Poles	STD Code	Pcs/pack.	W [kg]*	Pcs/Ind.**	W [kg]*
01	MPP01DAQ-00S0P	50	1,10	500	11,00		
02	MPP02DAQ-00S0P	40	1,76	250	11,00		
03	MPP03DAQ-00S0P	30	1,98	175	11,55		
04	MPP04DAQ-00S0P	25	2,20	125	11,00		
05	MPP05DAQ-00S0P	20	2,20	100	11,00		
06	MPP06DAQ-00S0P	15	1,98	75	9,90		
07	MPP07DAQ-00S0P	15	2,31	75	11,55		
08	MPP08DAQ-00S0P	10	1,76	50	8,80		
09	MPP09DAQ-00S0P	10	1,98	50	9,90		
10	MPP10DAQ-00S0P	10	2,20	50	11,00		
11	MPP11DAQ-00S0P	10	2,42	40	9,68		
12	MPP12DAQ-00S0P	10	2,64	40	10,55		



**MPP\_DVQ** straight, mounting flanges

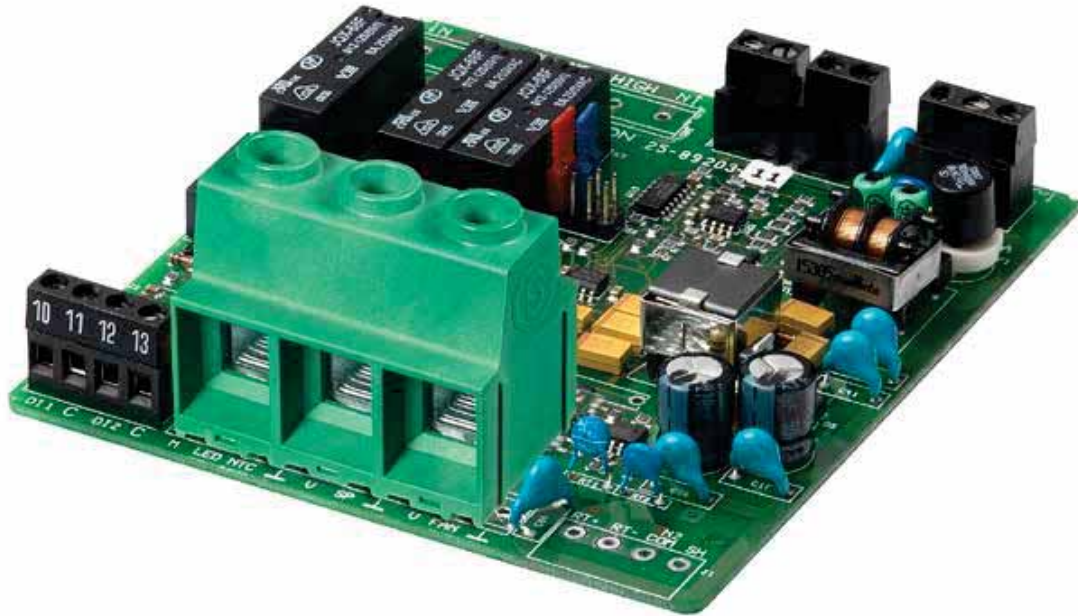
15 mm / .591" pitch						
Poles	STD Code	Pcs/pack.	W [kg]*	Pcs/Ind.**	W [kg]*	
01	MPP01DVQ	50	1,10	500	11,07	
02	MPP02DVQ	40	1,76	250	11,03	
03	MPP03DVQ	30	1,98	175	11,52	
04	MPP04DVQ	25	2,20	125	11,02	
05	MPP05DVQ	20	2,20	100	11,01	
06	MPP06DVQ	15	1,98	75	9,91	
07	MPP07DVQ	15	2,31	75	11,56	
08	MPP08DVQ	10	1,76	50	8,81	
09	MPP09DVQ	10	1,98	50	9,91	
10	MPP10DVQ	10	2,20	50	11,00	
11	MPP11DVQ	10	2,42	40	9,68	
12	MPP12DVQ	10	2,64	40	10,55	



**MPP\_DVQ-0000P** straight, mounting flanges, pegs

15 mm / .591" pitch						
Poles	STD Code	Pcs/pack.	W [kg]*	Pcs/Ind.**	W [kg]*	
01	MPP01DVQ-0000P	50	1,10	500	11,07	
02	MPP02DVQ-0000P	40	1,76	250	11,03	
03	MPP03DVQ-0000P	30	1,98	175	11,52	
04	MPP04DVQ-0000P	25	2,20	125	11,02	
05	MPP05DVQ-0000P	20	2,20	100	11,01	
06	MPP06DVQ-0000P	15	1,98	75	9,91	
07	MPP07DVQ-0000P	15	2,31	75	11,56	
08	MPP08DVQ-0000P	10	1,76	50	8,81	
09	MPP09DVQ-0000P	10	1,98	50	9,91	
10	MPP10DVQ-0000P	10	2,20	50	11,00	
11	MPP11DVQ-0000P	10	2,42	40	9,68	
12	MPP12DVQ-0000P	10	2,64	40	10,55	

Example of Application



\*W [kg]: approximate weight per box in kg

\*\*industrial packaging: add "-00000E" at standard code