

CTM

Functional characteristics



Dimensional class:

low



Standard colour:

green



Dimensions:

7.25 x 9.2 mm (.285 x .362 in)



Versions:

modular,

polarized



locking screw flanges



Single mould poles:

from 2 to 25 (modular and side stackable)

from 2 to 23 (locking screw flanges)



Pitches:

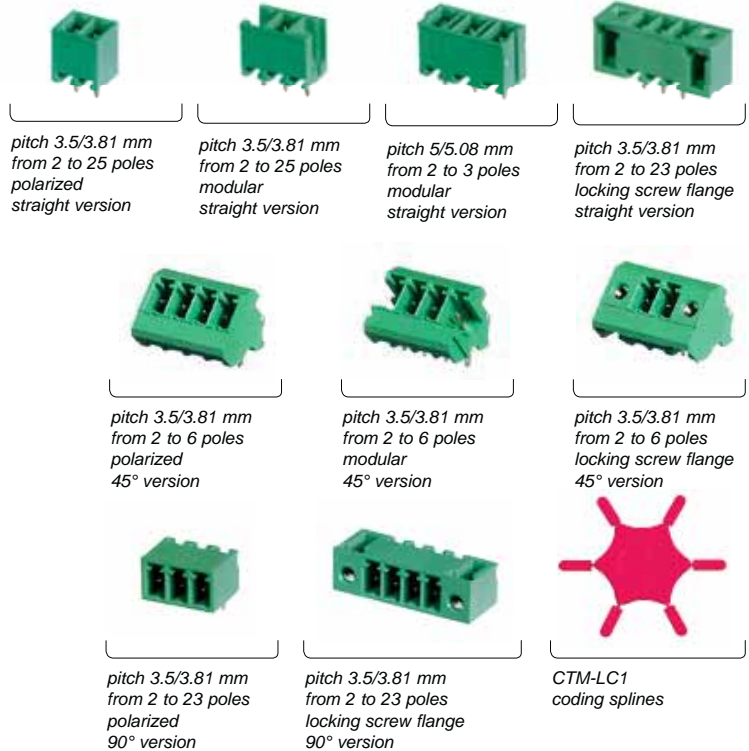
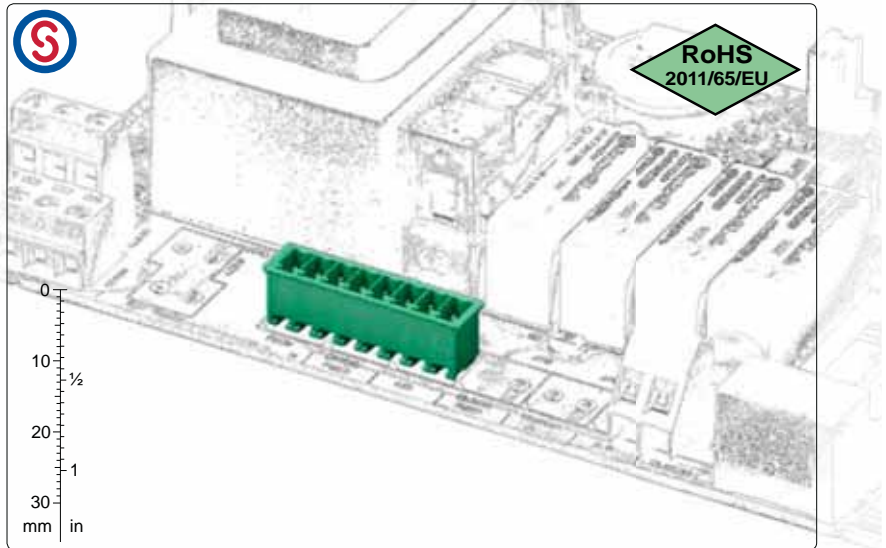
metric 3.5 mm, 5 mm, 7 mm, 10mm

(.138 in, .197 in, .275 in, .394 in)



imperial 3.81 mm, 5.08 mm, 7.62 mm, 10.16mm

(.150 in, .200 in, .300 in, .400 in)



Brief description

The **CTM** male connector series is available in 3.5 mm (.138 in), 5 mm (.197 in) and 7 mm (.275 in) metric pitches and in 3.81 mm (.100 in), 5.08 (.200 in) and 7.62 mm (.300 in) Imperial pitches, in monolithic blocks from 2 to 25 poles, in side-stackable or modular versions, with the possibility of connecting the parallel corresponding female connector, inclined at 45° or vertical in relation to the PCB.

The **CTM** connector series for PCBs features an asymmetric profile, so mistakes are prevented when connecting to the corresponding **CTF** and **CKF** female connectors. Further safety when connecting can be obtained by using the CTM-LC1 and CTF-SCI Coding Splines and Coding Clips.

It is possible to side-stack or assemble the basic modular connectors in order to obtain any number of poles without losing the pitch. By taking advantage of this particular feature a minimum quantity of basic connectors can be stored.

It is simple to manage the product, the warehouse and the assembly in Kit packages because several versions can be obtained with only one code, therefore the part-numbers and the risk of making mistakes are significantly reduced.

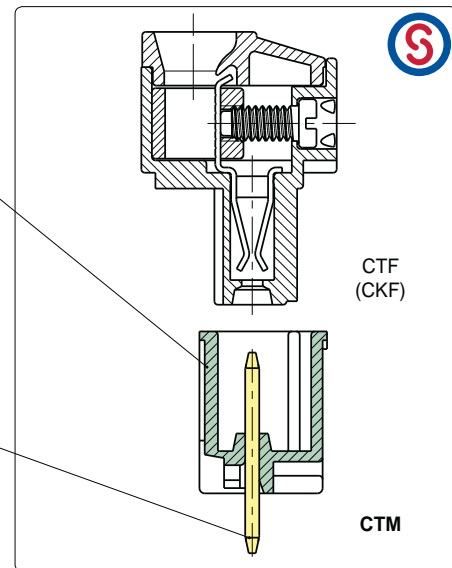
The CTM family is now available in 5mm, 5.08mm, 10mm and 10.16mm pitch.



Components features

Polyamide housing.
 Standard colour: GREEN.
 V0 self-extinguishing according to UL 94.
 Chlorinated solvents resistant,
 with no phosphor, dioxin or detrimental to health halogens.
 Material Group I (CTI ≥ 600 V)

Easy to solder lead-free
 tin-plated copper alloy pin.



Mechanical features

Insertion force per pole	max 3 N (max .674 lbf)
Withdrawal force per pole	min 1,5 N (min .337 lbf)
PCB thickness	max 2,4 mm (.094 in)
PCB hole diameter	1,2 mm (.043 in)
Operating temperature range	-40 °C ÷ +110 °C (-40 °F ÷ +230 °F)
Climatic category	40/110/21 according to EN 60068-1

Electrical features*

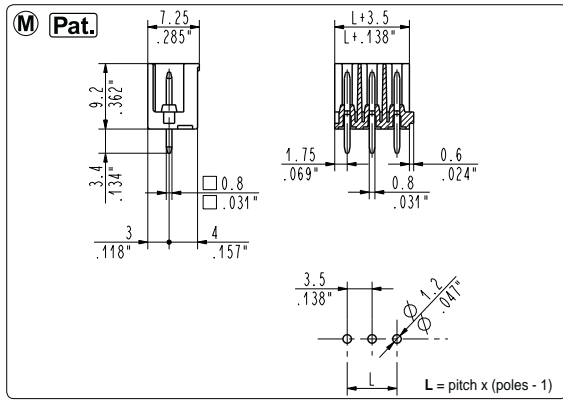
Rated voltage for 3.5 mm (.138 in) and 3.81 mm (.150 in) pitch	300 V (UL)*
Rated voltage for 5 mm (.197 in) and 5.08 mm (.200 in) pitch	400 V (IMQ)*
Rated voltage for 7 mm (.276 in) and 7.62 mm (.300 in) pitch	500 V (IMQ)*
Rated voltage for 10 mm (.394 in) and 10.16 mm (.400 in) pitch	800 V (IMQ)*
Rated current	11 A (IMQ)*
Contact resistance	<15 mΩ
Insulation resistance	>10 ⁹ Ω (500V DC)

*All the a.m. data refer to the highest values amongst the certified ones.
 V voltage, I current values and tightening torque are related to the norms to be applied to the product and to its use.

Approvals

IEC-EN	IEC: EN 61984	for 3.5 mm and 3.81 mm pitch:	150 V - 11 A - 1.5 mm ² - T110 - 2,5kV - III/3	/ 300 V - 11 A - 1.5 mm ² - T110 - 2,5kV - II/2
		for 5 mm and 5.08 mm pitch:	300 V - 11 A - 1.5 mm ² - T110 - 4kV - III/3	/ 600 V - 11 A - 1.5 mm ² - T110 - 4kV - II/2
		for 7 mm and 7.62 mm pitch:	400 V - 11 A - 1.5 mm ² - T110 - 6kV - III/3	/ 1000 V - 11 A - 1.5 mm ² - T110 - 6kV - II/2
		for 10 mm and 10.16 mm pitch:	630 V - 11 A - 1.5 mm ² - T110 - 8kV - III/3	/ 1000 V - 11 A - 1.5 mm ² - T110 - 8kV - II/2
UL	File E167473	UL:	300 V - 11 A - 30÷14 AWG - 2.7 lbf-in for 3.5 mm, 3.81 mm, 5 mm, 5.08 mm, 7 mm, 7.62 mm pitch	
			600 V - 11 A - 30÷14 AWG - 2.7 lbf-in for 10 mm and 10.16 mm pitch	
			Application values for end-use equipment have to be in accordance to UL norms and applicable to it.	
VDE	File n. 40013398	VDE:	for 3.5 mm and 3.81 mm pitch: 130 V - 11 A - 1 mm ² - T 95 - 1,5kV - III/2	
			for 5 mm and 5.08 mm pitch: 250 V - 11 A - 1 mm ² - T 95 - 2,5kV - III/2	
			for 7 mm and 7.62 mm pitch: 450 V - 11 A - 1 mm ² - T 95 - 4kV - III/2	
IMQ	File n. CA02.00901	IMQ:	for 3.5 mm and 3.81 mm pitch: 150 V - 11 A - 1.5 mm ² - T110 - 2,5kV - III/3 / 300 V - 11 A - 1.5 mm ² - T110 - 2,5kV - II/2	
			for 5 mm and 5.08 mm pitch: 300 V - 11 A - 1.5 mm ² - T110 - 4kV - III/3 / 600 V - 11 A - 1.5 mm ² - T110 - 4kV - II/2	
			for 7 mm and 7.62 mm pitch: 400 V - 11 A - 1.5 mm ² - T110 - 6kV - III/3 / 1000 V - 11 A - 1.5 mm ² - T110 - 6kV - II/2	
			for 10 mm and 10.16 mm pitch: 630 V - 11 A - 1.5 mm ² - T110 - 8kV - III/3 / 1000 V - 11 A - 1.5 mm ² - T110 - 8kV - II/2	
CSA:	File LR102896	300 V - 11 A - 30÷16 AWG for 3.5 mm, 3.81 mm, 7 mm and 7.62 mm pitch		

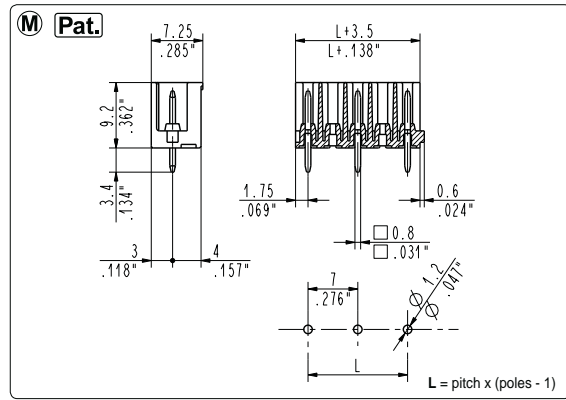
See also "Certifications", page 8



CTM_0M8 straight, modular male

3.5 mm / .138" pitch

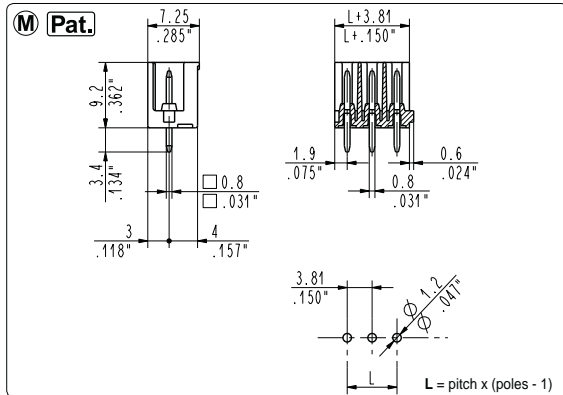
Poles	Code	Pcs/pack.	W [kg]*	Pcs/Ind.**	W [kg]*
02	CTM020M8	500	0,21	2000	0,84
03	CTM030M8	400	0,25	1750	1,10
04	CTM040M8	300	0,25	1500	1,26
05	CTM050M8	250	0,26	1500	1,58
06	CTM060M8	200	0,25	1250	1,58
07	CTM070M8	175	0,26	1250	1,84
08	CTM080M8	125	0,21	1000	1,68
09	CTM090M8	125	0,24	750	1,42
10	CTM100M8	100	0,21	750	1,57
11	CTM110M8	100	0,23	750	1,73
12	CTM120M8	75	0,19	750	1,89
13	CTM130M8	75	0,20	750	2,05
14	CTM140M8	75	0,22	750	2,21
15	CTM150M8	100	0,32	750	2,36
16	CTM160M8	100	0,34	750	2,52
17	CTM170M8	50	0,18	500	1,79
18	CTM180M8	50	0,19	500	1,89
19	CTM190M8	50	0,20	500	2,00
20	CTM200M8	50	0,21	500	2,10
21	CTM210M8	50	0,22	500	2,21
22	CTM220M8	50	0,23	500	2,31
23	CTM230M8	50	0,24	250	1,21
24	CTM240M8	50	0,25	250	1,26
25	CTM250M8	50	0,26	250	1,31



CTM_0M9 straight, modular male

7 mm / .276" pitch

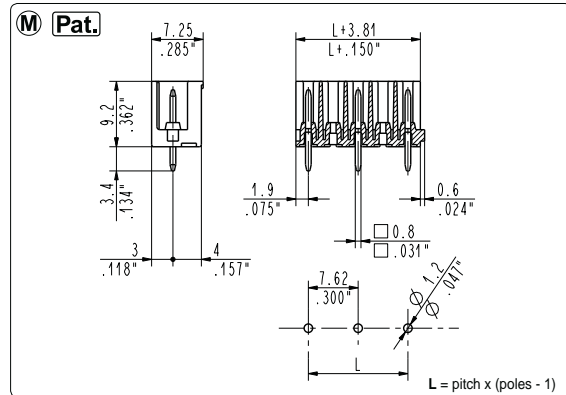
Poles	Code	Pcs/pack.	W [kg]*	Pcs/Ind.**	W [kg]*
01	CTM010M9	500	0,13	2000	0,52
02	CTM020M9	400	0,21	1750	0,91
03	CTM030M9	250	0,20	1500	1,17
04	CTM040M9	175	0,18	1250	1,30
05	CTM050M9	125	0,16	1000	1,30
06	CTM060M9	100	0,16	750	1,17
07	CTM070M9	100	0,18	750	1,37
08	CTM080M9	100	0,21	750	1,56
09	CTM090M9	50	0,12	500	1,17
10	CTM100M9	50	0,13	500	1,30
11	CTM110M9	50	0,14	500	1,43
12	CTM120M9	50	0,16	250	0,78
13	CTM130M9	50	0,17	250	0,85



CTM_0MT straight, modular male

3.81 mm / .150" pitch

Poles	Code	Pcs/pack.	W [kg]*	Pcs/Ind.**	W [kg]*
02	CTM020MT	500	0,21	2000	0,84
03	CTM030MT	400	0,25	1750	1,10
04	CTM040MT	300	0,25	1500	1,26
05	CTM050MT	250	0,26	1500	1,58
06	CTM060MT	200	0,25	1250	1,58
07	CTM070MT	175	0,26	1250	1,84
08	CTM080MT	125	0,21	1000	1,68
09	CTM090MT	125	0,24	750	1,42
10	CTM100MT	100	0,21	750	1,57
11	CTM110MT	100	0,23	750	1,73
12	CTM120MT	75	0,19	750	1,89
13	CTM130MT	75	0,20	750	2,05
14	CTM140MT	75	0,22	750	2,21
15	CTM150MT	100	0,32	750	2,36
16	CTM160MT	100	0,34	750	2,52
17	CTM170MT	50	0,18	500	1,79
18	CTM180MT	50	0,19	500	1,89
19	CTM190MT	50	0,20	500	2,00
20	CTM200MT	50	0,21	500	2,10
21	CTM210MT	50	0,22	500	2,21
22	CTM220MT	50	0,23	500	2,31
23	CTM230MT	50	0,24	250	1,21
24	CTM240MT	50	0,25	250	1,26
25	CTM250MT	50	0,26	250	1,31



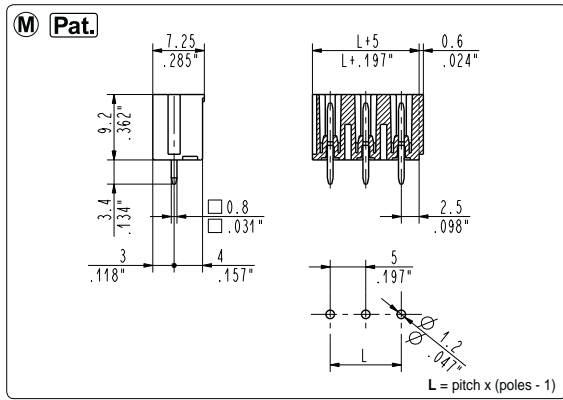
CTM_0M7 straight, modular male

7.62 mm / .300" pitch

Poles	Code	Pcs/pack.	W [kg]*	Pcs/Ind.**	W [kg]*
01	CTM010M7	500	0,13	2000	0,52
02	CTM020M7	400	0,21	1750	0,91
03	CTM030M7	250	0,20	1500	1,17
04	CTM040M7	175	0,18	1250	1,30
05	CTM050M7	125	0,16	1000	1,30
06	CTM060M7	100	0,16	750	1,17
07	CTM070M7	100	0,18	750	1,37
08	CTM080M7	100	0,21	750	1,56
09	CTM090M7	50	0,12	500	1,17
10	CTM100M7	50	0,13	500	1,30
11	CTM110M7	50	0,14	500	1,43
12	CTM120M7	50	0,16	250	0,78
13	CTM130M7	50	0,17	250	0,85

*W [kg]: approximate weight per box in kg

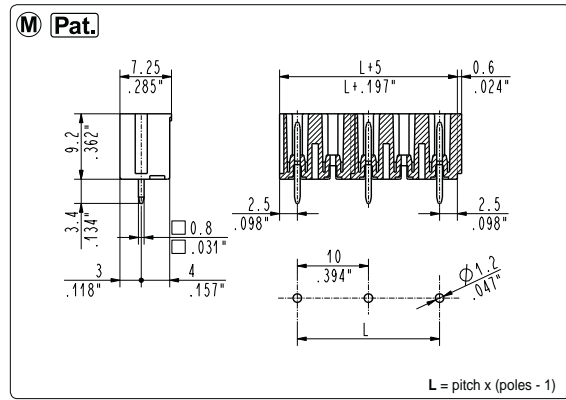
**industrial packaging: add "00000E" at standard code



CTM_0M1 straight, modular male

5 mm / .197" pitch

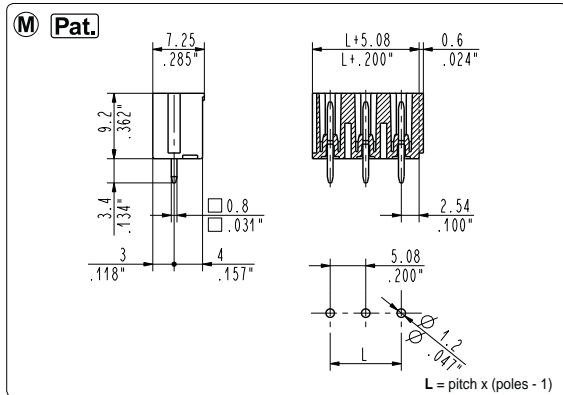
Poles	Code	Pcs/pack.	W [kg]*	Pcs/Ind.**	W [kg]*
02	CTM020M1	400	0,23	2000	1,16
03	CTM030M1	250	0,22	1750	1,52
04	CTM040M1	200	0,23	1750	2,03
05	CTM050M1	175	0,25	1500	2,18
06	CTM060M1	150	0,26	1250	2,18
07	CTM070M1	100	0,20	1000	2,03
08	CTM080M1	100	0,23	1000	2,32
09	CTM090M1	100	0,26	750	1,96
10	CTM100M1	100	0,29	750	2,18
11	CTM110M1	100	0,32	750	2,39
12	CTM120M1	100	0,35	750	2,61
13	CTM130M1	50	0,19	500	1,89
14	CTM140M1	50	0,20	500	2,03
15	CTM150M1	50	0,22	500	2,18
16	CTM160M1	50	0,23	500	2,32
17	CTM170M1	50	0,24	500	2,47
18	CTM180M1	50	0,26	500	2,61
19	CTM190M1	50	0,27	500	2,76
20	CTM200M1	50	0,29	500	2,90
21	CTM210M1	50	0,30	500	3,05
22	CTM220M1	50	0,32	500	3,19



CTM_0M2 straight, modular male

10 mm / .394" pitch

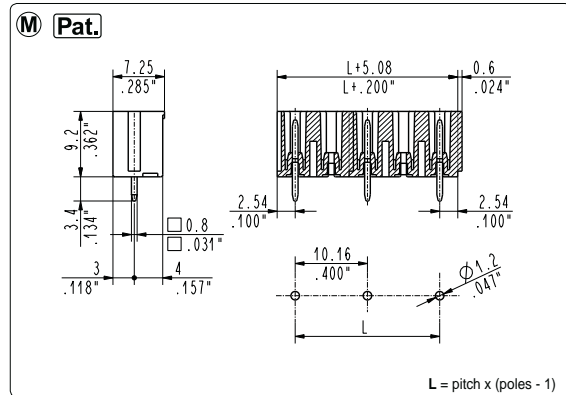
Poles	Code	Pcs/pack.	W [kg]*	Pcs/Ind.**	W [kg]*
01	CTM010M2	400	0,14	2000	0,68
02	CTM020M2	250	0,17	1750	1,19
03	CTM030M2	175	0,18	1250	1,28
04	CTM040M2	100	0,14	1000	1,36
05	CTM050M2	100	0,17	1000	1,70
06	CTM060M2	100	0,20	1000	2,04
07	CTM070M2	50	0,12	500	1,19
08	CTM080M2	50	0,14	500	1,36
09	CTM090M2	50	0,15	500	1,53
10	CTM100M2	50	0,17	500	1,70
11	CTM110M2	50	0,19	500	1,87



CTM_0M5 straight, modular male

5.08 mm / .200" pitch

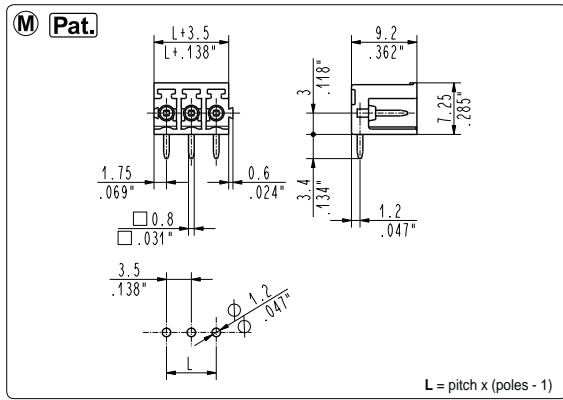
Poles	Code	Pcs/pack.	W [kg]*	Pcs/Ind.**	W [kg]*
02	CTM020M5	400	0,23	2000	1,16
03	CTM030M5	250	0,22	1750	1,52



CTM_0M6 straight, modular male

10.16 mm / .400" pitch

Poles	Code	Pcs/pack.	W [kg]*	Pcs/Ind.**	W [kg]*
01	CTM010M6	400	0,14	2000	0,68
02	CTM020M6	250	0,17	1750	1,19

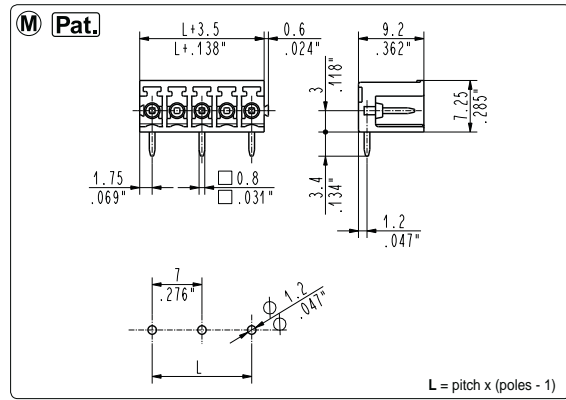


L = pitch x (poles - 1)

CTM_9M8 90°, modular male

3.5 mm / .138" pitch

Poles	Code	Pcs/pack.	W [kg]*	Pcs/Ind.**	W [kg]*
02	CTM029M8	500	0,21	2000	0,84
03	CTM039M8	400	0,25	1750	1,10
04	CTM049M8	300	0,25	1500	1,26
05	CTM059M8	250	0,26	1500	1,58
06	CTM069M8	200	0,25	1250	1,58
07	CTM079M8	175	0,26	1250	1,84
08	CTM089M8	125	0,21	1000	1,68
09	CTM099M8	125	0,24	750	1,42
10	CTM109M8	100	0,21	750	1,57
11	CTM119M8	100	0,23	750	1,73
12	CTM129M8	75	0,19	750	1,89
13	CTM139M8	75	0,20	750	2,05
14	CTM149M8	100	0,29	750	2,21
15	CTM159M8	100	0,32	750	2,36
16	CTM169M8	100	0,34	750	2,52
17	CTM179M8	50	0,18	500	1,79
18	CTM189M8	50	0,19	500	1,89
19	CTM199M8	50	0,20	500	2,00
20	CTM209M8	50	0,21	500	2,10
21	CTM219M8	50	0,22	500	2,21
22	CTM229M8	50	0,23	500	2,31
23	CTM239M8	50	0,24	250	1,21
24	CTM249M8	50	0,25	250	1,26
25	CTM259M8	50	0,26	250	1,31

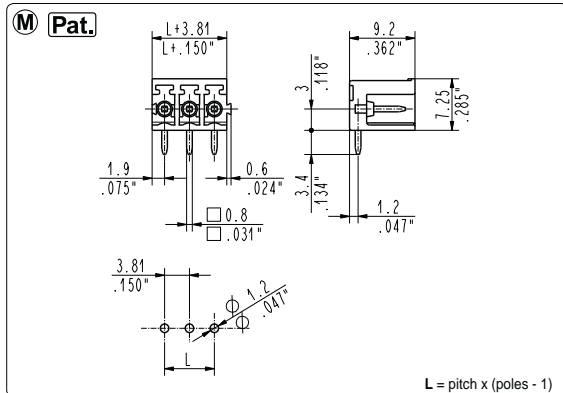


L = pitch x (poles - 1)

CTM_9M9 90°, modular male

7 mm / .276" pitch

Poles	Code	Pcs/pack.	W [kg]*	Pcs/Ind.**	W [kg]*
01	CTM019M9	500	0,13	2000	0,52
02	CTM029M9	400	0,21	1750	0,91
03	CTM039M9	250	0,20	1500	1,17
04	CTM049M9	175	0,18	1250	1,30
05	CTM059M9	125	0,16	1000	1,30
06	CTM069M9	100	0,16	750	1,17
07	CTM079M9	100	0,18	750	1,37
08	CTM089M9	100	0,21	750	1,56
09	CTM099M9	50	0,12	500	1,17
10	CTM109M9	50	0,13	500	1,30
11	CTM119M9	50	0,14	500	1,43
12	CTM129M9	50	0,16	250	0,78
13	CTM139M9	50	0,17	250	0,85

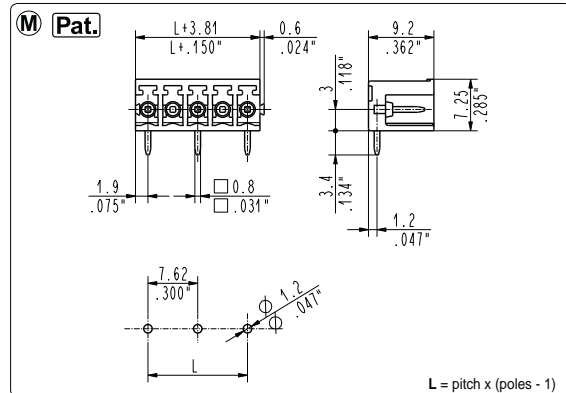


L = pitch x (poles - 1)

CTM_9MT 90°, modular male

3.81 mm / .150" pitch

Poles	Code	Pcs/pack.	W [kg]*	Pcs/Ind.**	W [kg]*
02	CTM029MT	500	0,21	2000	0,84
03	CTM039MT	400	0,25	1750	1,10
04	CTM049MT	300	0,25	1500	1,26
05	CTM059MT	250	0,26	1500	1,58
06	CTM069MT	200	0,25	1250	1,58
07	CTM079MT	175	0,26	1250	1,84
08	CTM089MT	125	0,21	1000	1,68
09	CTM099MT	125	0,24	750	1,42
10	CTM109MT	100	0,21	750	1,57
11	CTM119MT	100	0,23	750	1,73
12	CTM129MT	75	0,19	750	1,89
13	CTM139MT	75	0,20	750	2,05
14	CTM149MT	100	0,29	750	2,21
15	CTM159MT	100	0,32	750	2,36
16	CTM169MT	100	0,34	750	2,52
17	CTM179MT	50	0,18	500	1,79
18	CTM189MT	50	0,19	500	1,89
19	CTM199MT	50	0,20	500	2,00
20	CTM209MT	50	0,21	500	2,10
21	CTM219MT	50	0,22	500	2,21
22	CTM229MT	50	0,23	500	2,31
23	CTM239MT	50	0,24	250	1,21
24	CTM249MT	50	0,25	250	1,26
25	CTM259MT	50	0,26	250	1,31



L = pitch x (poles - 1)

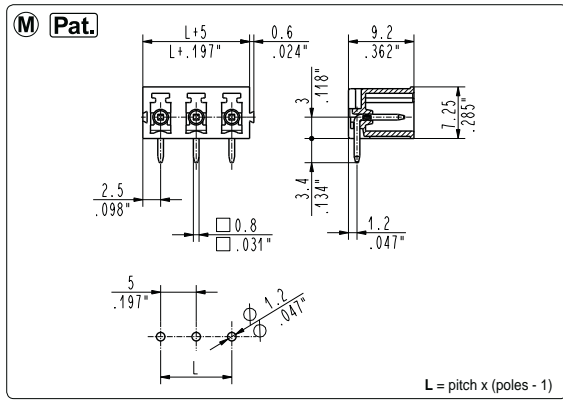
CTM_9M7 90°, modular male

7.62 mm / .300" pitch

Poles	Code	Pcs/pack.	W [kg]*	Pcs/Ind.**	W [kg]*
01	CTM019M7	500	0,13	2000	0,52
02	CTM029M7	400	0,21	1750	0,91
03	CTM039M7	250	0,20	1500	1,17
04	CTM049M7	175	0,18	1250	1,30
05	CTM059M7	125	0,16	1000	1,30
06	CTM069M7	100	0,16	750	1,17
07	CTM079M7	100	0,18	750	1,37
08	CTM089M7	100	0,21	750	1,56
09	CTM099M7	50	0,12	500	1,17
10	CTM109M7	50	0,13	500	1,30
11	CTM119M7	50	0,14	500	1,43
12	CTM129M7	50	0,16	250	0,78
13	CTM139M7	50	0,17	250	0,85

*W [kg]: approximate weight per box in kg

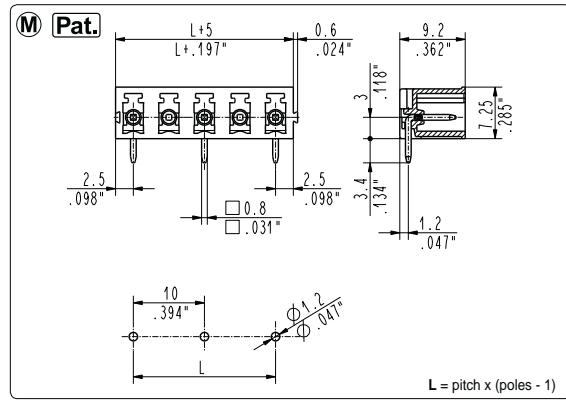
**industrial packaging: add "00000E" at standard code



CTM_9M1 90°, modular male

5 mm / .197" pitch

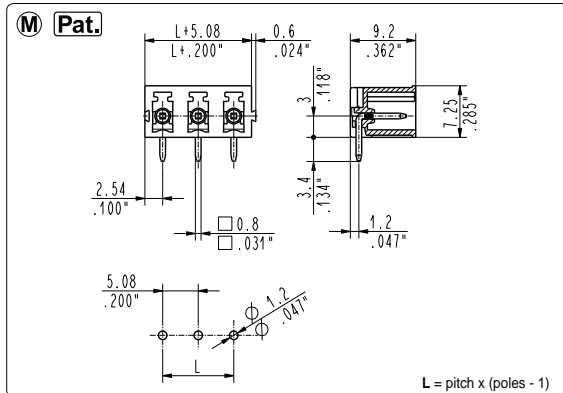
Poles	Code	Pcs/pack.	W [kg]*	Pcs/Ind.**	W [kg]*
02	CTM029M1	400	0,23	2000	1,16
03	CTM039M1	250	0,22	1750	1,52
04	CTM049M1	200	0,23	1750	2,03
05	CTM059M1	175	0,25	1500	2,18
06	CTM069M1	150	0,26	1250	2,18
07	CTM079M1	100	0,20	1000	2,03
08	CTM089M1	100	0,23	1000	2,32
09	CTM099M1	100	0,26	750	1,96
10	CTM109M1	100	0,29	750	2,18
11	CTM119M1	100	0,32	750	2,39
12	CTM129M1	100	0,35	750	2,61
13	CTM139M1	50	0,19	500	1,89
14	CTM149M1	50	0,20	500	2,03
15	CTM159M1	50	0,22	500	2,18
16	CTM169M1	50	0,23	500	2,32
17	CTM179M1	50	0,24	500	2,47
18	CTM189M1	50	0,26	500	2,61
19	CTM199M1	50	0,27	500	2,76
20	CTM209M1	50	0,29	500	2,90
21	CTM219M1	50	0,30	500	3,05
22	CTM229M1	50	0,32	500	3,19



CTM_9M2 90°, modular male

10 mm / .394" pitch

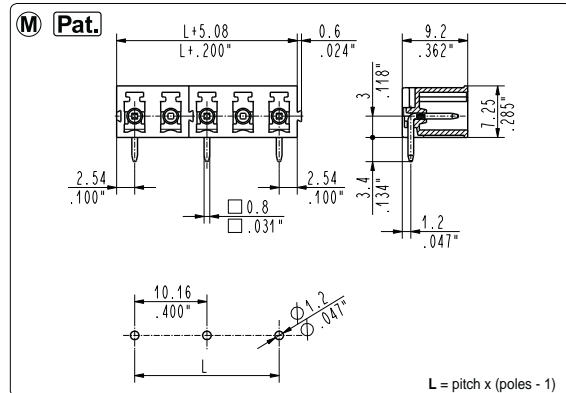
Poles	Code	Pcs/pack.	W [kg]*	Pcs/Ind.**	W [kg]*
01	CTM019M2	400	0,14	2000	0,68
02	CTM029M2	250	0,17	1750	1,19
03	CTM039M2	175	0,18	1250	1,28
04	CTM049M2	100	0,14	1000	1,36
05	CTM059M2	100	0,17	1000	1,70
06	CTM069M2	100	0,20	1000	2,04
07	CTM079M2	50	0,12	500	1,19
08	CTM089M2	50	0,14	500	1,36
09	CTM099M2	50	0,15	500	1,53
10	CTM109M2	50	0,17	500	1,70
11	CTM119M2	50	0,19	500	1,87



CTM_9M5 90°, modular male

5.08 mm / .200" pitch

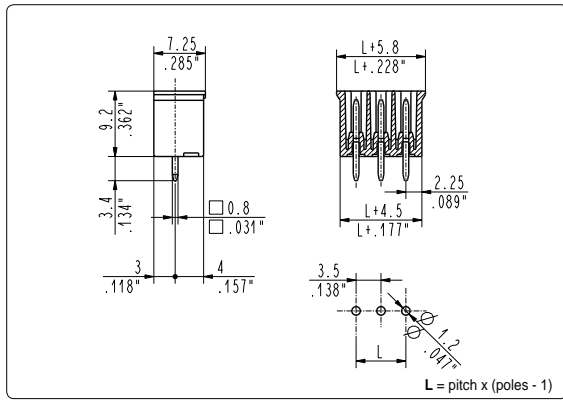
Poles	Code	Pcs/pack.	W [kg]*	Pcs/Ind.**	W [kg]*
02	CTM029M5	400	0,23	2000	1,16
03	CTM039M5	250	0,22	1750	1,52



CTM_9M6 90°, modular male

10.16 mm / .400" pitch

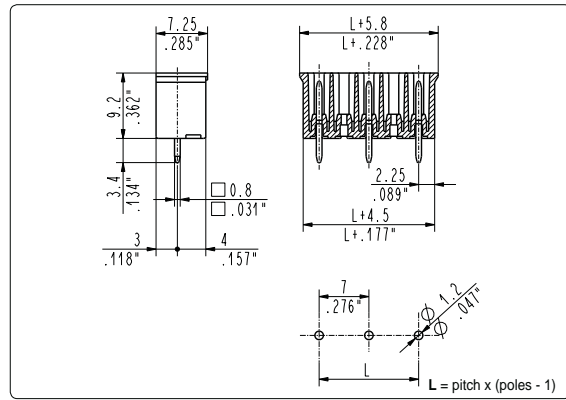
Poles	Code	Pcs/pack.	W [kg]*	Pcs/Ind.**	W [kg]*
01	CTM019M6	400	0,14	2000	0,68
02	CTM029M6	250	0,17	1750	1,19



CTM_0P8 straight, polarized male

3.5 mm / .138" pitch

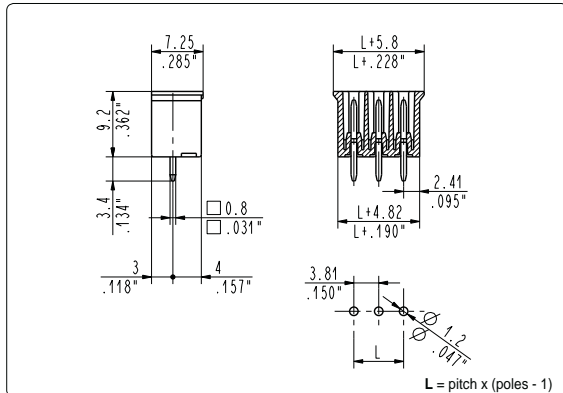
Poles	Code	Pcs/pack.	W [kg]*	Pcs/Ind.**	W [kg]*
02	CTM020P8	500	0,26	2000	1,04
03	CTM030P8	400	0,31	1750	1,37
04	CTM040P8	300	0,31	1500	1,56
05	CTM050P8	250	0,33	1500	1,95
06	CTM060P8	200	0,31	1250	1,95
07	CTM070P8	175	0,32	1250	2,28
08	CTM080P8	125	0,26	1000	2,08
09	CTM090P8	125	0,29	750	1,75
10	CTM100P8	100	0,26	750	1,95
11	CTM110P8	100	0,29	750	2,15
12	CTM120P8	75	0,23	750	2,34
13	CTM130P8	75	0,25	750	2,54
14	CTM140P8	100	0,36	750	2,73
15	CTM150P8	100	0,39	750	2,93
16	CTM160P8	100	0,42	750	3,12
17	CTM170P8	50	0,22	500	2,21
18	CTM180P8	50	0,23	500	2,34
19	CTM190P8	50	0,25	500	2,47
20	CTM200P8	50	0,26	500	2,60
21	CTM210P8	50	0,27	500	2,73
22	CTM220P8	50	0,29	500	2,86
23	CTM230P8	50	0,30	250	1,50
24	CTM240P8	50	0,31	250	1,56
25	CTM250P8	50	0,33	250	1,63



CTM_0P9 straight, polarized male

7 mm / .276" pitch

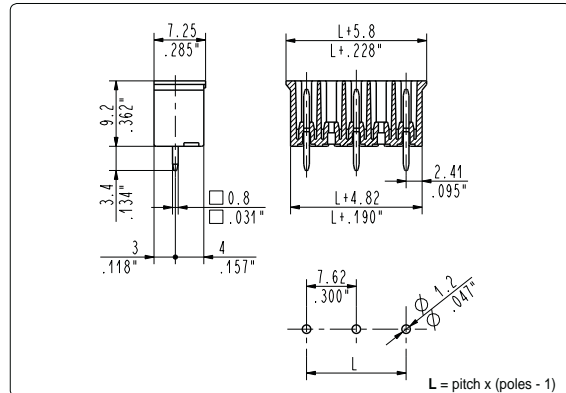
Poles	Code	Pcs/pack.	W [kg]*	Pcs/Ind.**	W [kg]*
02	CTM020P9	400	0,25	1750	1,09
03	CTM030P9	250	0,23	1500	1,40
04	CTM040P9	175	0,22	1250	1,55
05	CTM050P9	125	0,19	1000	1,55
06	CTM060P9	100	0,19	750	1,40
07	CTM070P9	100	0,22	750	1,63
08	CTM080P9	100	0,25	750	1,86
09	CTM090P9	50	0,14	500	1,40
10	CTM100P9	50	0,16	500	1,55
11	CTM110P9	50	0,17	500	1,71
12	CTM120P9	50	0,19	250	0,93
13	CTM130P9	50	0,20	250	1,01



CTM_0PT straight, polarized male

3.81 mm / .150" pitch

Poles	Code	Pcs/pack.	W [kg]*	Pcs/Ind.**	W [kg]*
02	CTM020PT	500	0,26	2000	1,04
03	CTM030PT	400	0,31	1750	1,37
04	CTM040PT	300	0,31	1500	1,56
05	CTM050PT	250	0,33	1500	1,95
06	CTM060PT	200	0,31	1250	1,95
07	CTM070PT	175	0,32	1250	2,28
08	CTM080PT	125	0,26	1000	2,08
09	CTM090PT	125	0,29	750	1,75
10	CTM100PT	100	0,26	750	1,95
11	CTM110PT	100	0,29	750	2,15
12	CTM120PT	75	0,23	750	2,34
13	CTM130PT	75	0,25	750	2,54
14	CTM140PT	100	0,36	750	2,73
15	CTM150PT	100	0,39	750	2,93
16	CTM160PT	100	0,42	750	3,12
17	CTM170PT	50	0,22	500	2,21
18	CTM180PT	50	0,23	500	2,34
19	CTM190PT	50	0,25	500	2,47
20	CTM200PT	50	0,26	500	2,60
21	CTM210PT	50	0,27	500	2,73
22	CTM220PT	50	0,29	500	2,86
23	CTM230PT	50	0,30	250	1,50
24	CTM240PT	50	0,31	250	1,56
25	CTM250PT	50	0,33	250	1,63



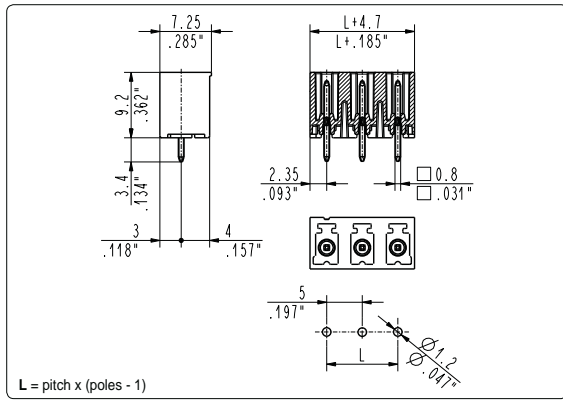
CTM_0P7 straight, polarized male

7.62 mm / .300" pitch

Poles	Code	Pcs/pack.	W [kg]*	Pcs/Ind.**	W [kg]*
02	CTM020P7	400	0,25	1750	1,09
03	CTM030P7	250	0,23	1500	1,40
04	CTM040P7	175	0,22	1250	1,55
05	CTM050P7	125	0,19	1000	1,55
06	CTM060P7	100	0,19	750	1,40
07	CTM070P7	100	0,22	750	1,63
08	CTM080P7	100	0,25	750	1,86
09	CTM090P7	50	0,14	500	1,40
10	CTM100P7	50	0,16	500	1,55
11	CTM110P7	50	0,17	500	1,71
12	CTM120P7	50	0,19	250	0,93
13	CTM130P7	50	0,20	250	1,01

*W [kg]: approximate weight per box in kg

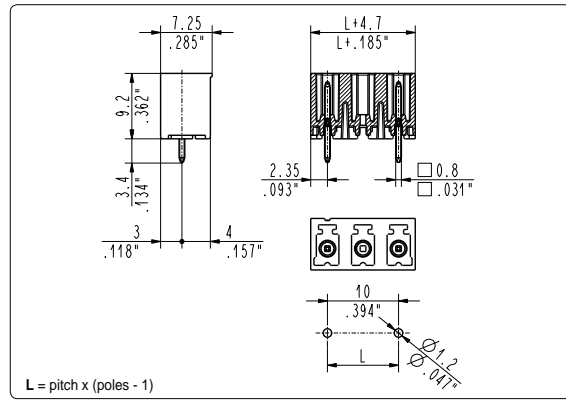
**industrial packaging: add "00000E" at standard code



CTM_0P1 straight, polarized-side stackable male

5 mm / .197" pitch

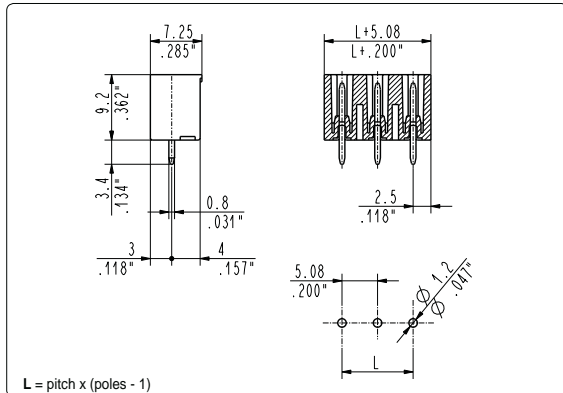
Poles	Code	Pcs/pack.	W [kg]*	Pcs/Ind.**	W [kg]*
02	CTM020P1	400	0,23	2000	1,16
03	CTM030P1	250	0,22	1750	1,52
04	CTM040P1	200	0,23	1750	2,03
05	CTM050P1	175	0,25	1500	2,18
06	CTM060P1	150	0,26	1250	2,18
07	CTM070P1	100	0,20	1000	2,03
08	CTM080P1	100	0,23	1000	2,32
09	CTM090P1	100	0,26	750	1,96
10	CTM100P1	100	0,29	750	2,18
11	CTM110P1	100	0,32	750	2,39
12	CTM120P1	50	0,17	750	2,61
13	CTM130P1	50	0,19	500	1,89
14	CTM140P1	50	0,20	500	2,03
15	CTM150P1	50	0,22	500	2,18
16	CTM160P1	50	0,23	500	2,32
17	CTM170P1	50	0,25	500	2,47
18	CTM180P1	50	0,26	500	2,61
19	CTM190P1	50	0,28	500	2,76
20	CTM200P1	50	0,29	500	2,90
21	CTM210P1	50	0,30	500	3,05
22	CTM220P1	50	0,32	500	3,19



CTM_0P2 straight, polarized-side stackable male

10 mm / .394" pitch

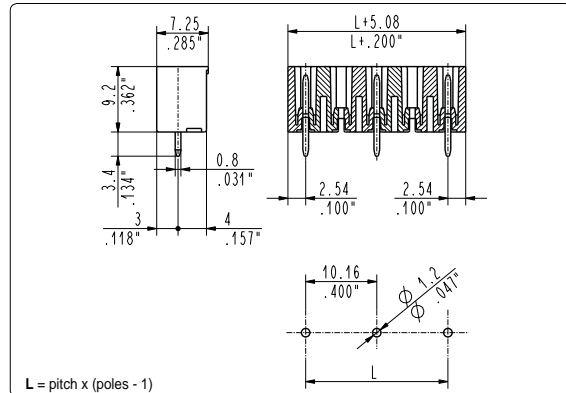
Poles	Code	Pcs/pack.	W [kg]*	Pcs/Ind.**	W [kg]*
02	CTM020P2	250	0,17	1750	1,19
03	CTM030P2	175	0,18	1250	1,28
04	CTM040P2	100	0,14	1000	1,36
05	CTM050P2	100	0,17	1000	1,70
06	CTM060P2	100	0,20	1000	2,04
07	CTM070P2	50	0,12	500	1,19
08	CTM080P2	50	0,14	500	1,36
09	CTM090P2	50	0,15	500	1,53
10	CTM100P2	50	0,17	500	1,70
11	CTM110P2	50	0,19	500	1,87



CTM_0P5 straight, polarized-side stackable male

5.08 mm / .200" pitch

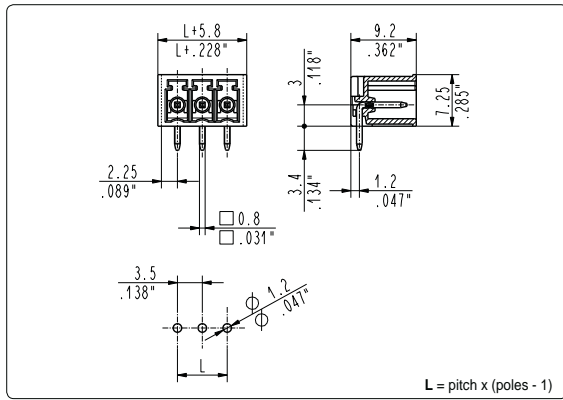
Poles	Code	Pcs/pack.	W [kg]*	Pcs/Ind.**	W [kg]*
02	CTM020P5	400	0,23	2000	1,16
03	CTM030P5	250	0,22	1750	1,52



CTM_0P6 straight, polarized-side stackable male

10.16 mm / .400" pitch

Poles	Code	Pcs/pack.	W [kg]*	Pcs/Ind.**	W [kg]*
02	CTM020P6	250	0,17	1750	1,19

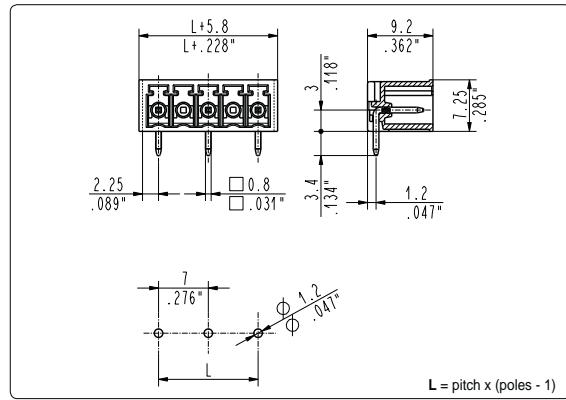


L = pitch x (poles - 1)

CTM_9P8 90°, polarized male

3.5 mm / .138" pitch

Poles	Code	Pcs/pack.	W [kg]*	Pcs/Ind.**	W [kg]*
02	CTM029P8	500	0,26	2000	1,04
03	CTM039P8	400	0,31	1750	1,37
04	CTM049P8	300	0,31	1500	1,56
05	CTM059P8	250	0,33	1500	1,95
06	CTM069P8	200	0,31	1250	1,95
07	CTM079P8	175	0,32	1250	2,28
08	CTM089P8	125	0,26	1000	2,08
09	CTM099P8	125	0,29	750	1,75
10	CTM109P8	100	0,26	750	1,95
11	CTM119P8	100	0,29	750	2,15
12	CTM129P8	75	0,23	750	2,34
13	CTM139P8	75	0,25	750	2,54
14	CTM149P8	100	0,36	750	2,73
15	CTM159P8	100	0,39	750	2,93
16	CTM169P8	100	0,42	750	3,12
17	CTM179P8	50	0,22	500	2,21
18	CTM189P8	50	0,23	500	2,34
19	CTM199P8	50	0,25	500	2,47
20	CTM209P8	50	0,26	500	2,60
21	CTM219P8	50	0,27	500	2,73
22	CTM229P8	50	0,29	500	2,86
23	CTM239P8	50	0,30	250	1,50
24	CTM249P8	50	0,31	250	1,56
25	CTM259P8	50	0,33	250	1,63

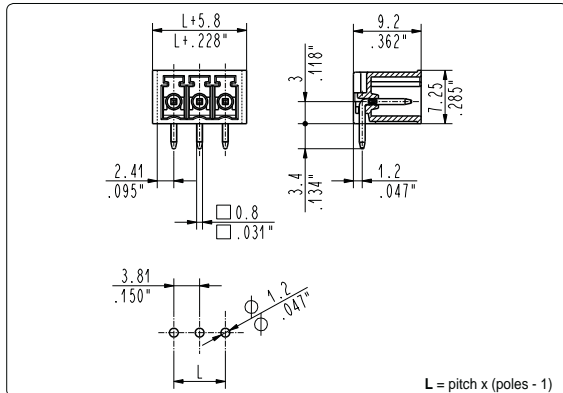


L = pitch x (poles - 1)

CTM_9P9 90°, polarized male

7 mm / .276" pitch

Poles	Code	Pcs/pack.	W [kg]*	Pcs/Ind.**	W [kg]*
02	CTM029P9	400	0,25	1750	1,09
03	CTM039P9	250	0,23	1500	1,40
04	CTM049P9	175	0,22	1250	1,55
05	CTM059P9	125	0,19	1000	1,55
06	CTM069P9	100	0,19	750	1,40
07	CTM079P9	100	0,22	750	1,63
08	CTM089P9	100	0,25	750	1,86
09	CTM099P9	50	0,14	500	1,40
10	CTM109P9	50	0,16	500	1,55
11	CTM119P9	50	0,17	500	1,71
12	CTM129P9	50	0,19	250	0,93
13	CTM139P9	50	0,20	250	1,01

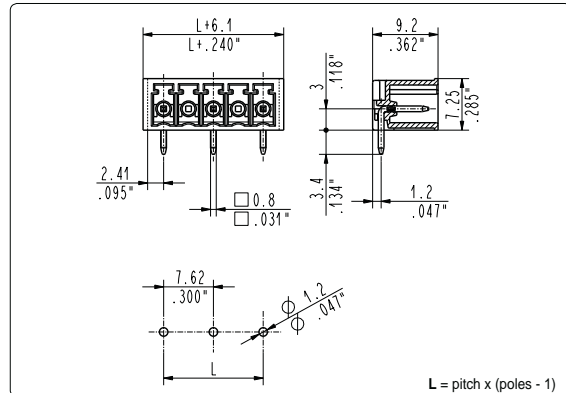


L = pitch x (poles - 1)

CTM_9PT 90°, polarized male

3.81 mm / .150" pitch

Poles	Code	Pcs/pack.	W [kg]*	Pcs/Ind.**	W [kg]*
02	CTM029PT	500	0,26	2000	1,04
03	CTM039PT	400	0,31	1750	1,37
04	CTM049PT	300	0,31	1500	1,56
05	CTM059PT	250	0,33	1500	1,95
06	CTM069PT	200	0,31	1250	1,95
07	CTM079PT	175	0,32	1250	2,28
08	CTM089PT	125	0,26	1000	2,08
09	CTM099PT	125	0,29	750	1,75
10	CTM109PT	100	0,26	750	1,95
11	CTM119PT	100	0,29	750	2,15
12	CTM129PT	75	0,23	750	2,34
13	CTM139PT	75	0,25	750	2,54
14	CTM149PT	100	0,36	750	2,73
15	CTM159PT	100	0,39	750	2,93
16	CTM169PT	100	0,42	750	3,12
17	CTM179PT	50	0,22	500	2,21
18	CTM189PT	50	0,23	500	2,34
19	CTM199PT	50	0,25	500	2,47
20	CTM209PT	50	0,26	500	2,60
21	CTM219PT	50	0,27	500	2,73
22	CTM229PT	50	0,29	500	2,86
23	CTM239PT	50	0,30	250	1,50
24	CTM249PT	50	0,31	250	1,56
25	CTM259PT	50	0,33	250	1,63



L = pitch x (poles - 1)

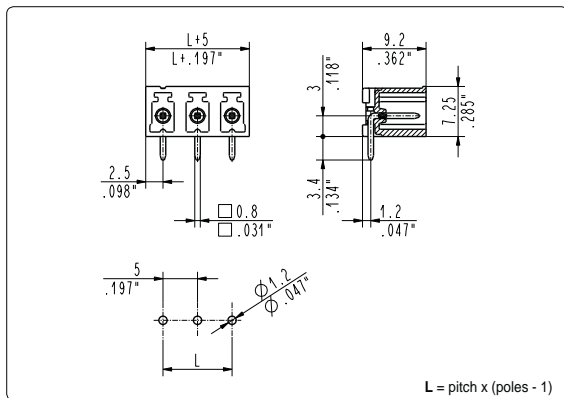
CTM_9P7 90°, polarized male

7.62 mm / .300" pitch

Poles	Code	Pcs/pack.	W [kg]*	Pcs/Ind.**	W [kg]*
02	CTM029P7	400	0,25	1750	1,09
03	CTM039P7	250	0,23	1500	1,40
04	CTM049P7	175	0,22	1250	1,55
05	CTM059P7	125	0,19	1000	1,55
06	CTM069P7	100	0,19	750	1,40
07	CTM079P7	100	0,22	750	1,63
08	CTM089P7	100	0,25	750	1,86
09	CTM099P7	50	0,14	500	1,40
10	CTM109P7	50	0,16	500	1,55
11	CTM119P7	50	0,17	500	1,71
12	CTM129P7	50	0,19	250	0,93
13	CTM139P7	50	0,20	250	1,01

*W [kg]: approximate weight per box in kg

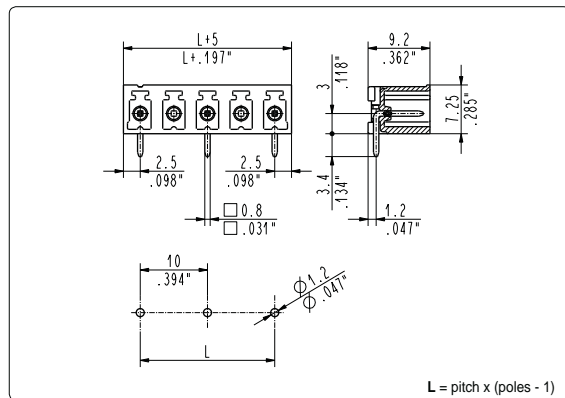
**industrial packaging: add "00000E" at standard code



CTM_9P1 90°, polarized-side stackable male

5 mm / .197" pitch

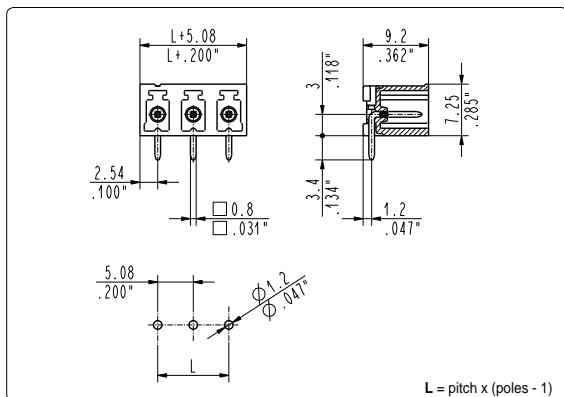
Poles	Code	Pcs/pack.	W [kg]*	Pcs/Ind.**	W [kg]*
02	CTM029P1	400	0,23	2000	1,16
03	CTM039P1	250	0,22	1750	1,52
04	CTM049P1	200	0,23	1750	2,03
05	CTM059P1	175	0,25	1500	2,18
06	CTM069P1	150	0,26	1250	2,18
07	CTM079P1	100	0,20	1000	2,03
08	CTM089P1	100	0,23	1000	2,32
09	CTM099P1	100	0,26	750	1,96
10	CTM109P1	100	0,29	750	2,18
11	CTM119P1	100	0,32	750	2,39
12	CTM129P1	50	0,17	750	2,61
13	CTM139P1	50	0,19	500	1,89
14	CTM149P1	50	0,20	500	2,03
15	CTM159P1	50	0,22	500	2,18
16	CTM169P1	50	0,23	500	2,32
17	CTM179P1	50	0,25	500	2,47
18	CTM189P1	50	0,26	500	2,61
19	CTM199P1	50	0,28	500	2,76
20	CTM209P1	50	0,29	500	2,90
21	CTM219P1	50	0,30	500	3,05
22	CTM229P1	50	0,32	500	3,19



CTM_9P2 90°, polarized-side stackable male

10 mm / .394" pitch

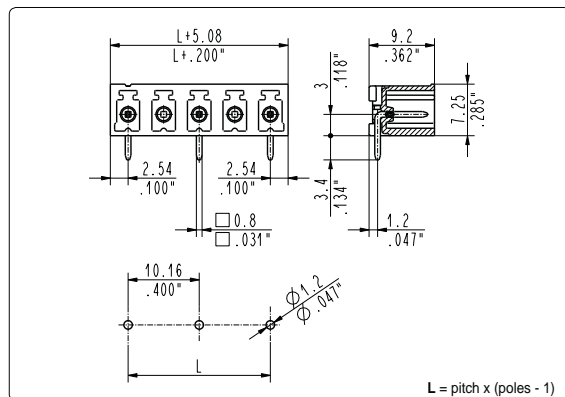
Poles	Code	Pcs/pack.	W [kg]*	Pcs/Ind.**	W [kg]*
02	CTM029P2	250	0,17	1750	1,19
03	CTM039P2	175	0,18	1250	1,28
04	CTM049P2	100	0,14	1000	1,36
05	CTM059P2	100	0,17	1000	1,70
06	CTM069P2	100	0,20	1000	2,04
07	CTM079P2	50	0,12	500	1,19
08	CTM089P2	50	0,14	500	1,36
09	CTM099P2	50	0,15	500	1,53
10	CTM109P2	50	0,17	500	1,70
11	CTM119P2	50	0,19	500	1,87



CTM_9P5 90°, polarized-side stackable male

5.08 mm / .200" pitch

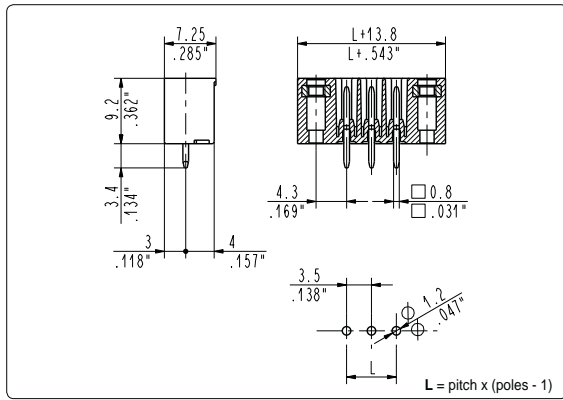
Poles	Code	Pcs/pack.	W [kg]*	Pcs/Ind.**	W [kg]*
02	CTM029P5	400	0,23	2000	1,16
03	CTM039P5	250	0,22	1750	1,52



CTM_9P6 90°, polarized-side stackable male

10.16 mm / .400" pitch

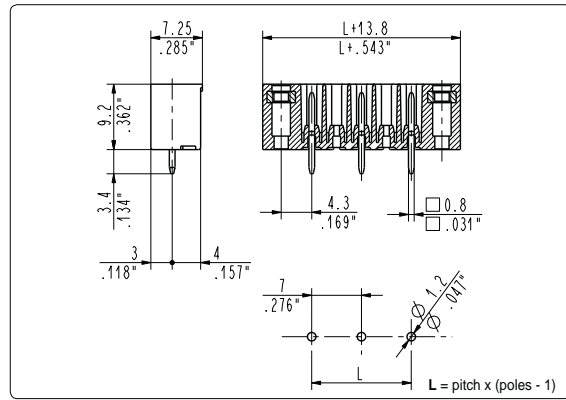
Poles	Code	Pcs/pack.	W [kg]*	Pcs/Ind.**	W [kg]*
02	CTM029P6	250	0,17	1750	1,19



CTM_0V8 straight, locking screw flanges male

3.5 mm / .138" pitch

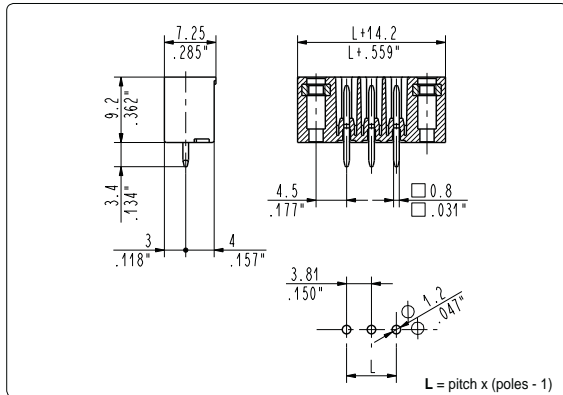
Poles	Code	Pcs/pack.	W [kg]*	Pcs/Ind.**	W [kg]*
02	CTM020V8	250	0,31	1250	1,53
03	CTM030V8	200	0,29	1000	1,43
04	CTM040V8	175	0,29	1000	1,64
05	CTM050V8	150	0,28	750	1,39
06	CTM060V8	125	0,26	750	1,55
07	CTM070V8	100	0,23	500	1,14
08	CTM080V8	100	0,25	500	1,24
09	CTM090V8	75	0,20	500	1,35
10	CTM100V8	75	0,22	500	1,45
11	CTM110V8	75	0,23	500	1,56
12	CTM120V8	75	0,25	500	1,66
13	CTM130V8	75	0,26	250	0,88
14	CTM140V8	50	0,19	250	0,94
15	CTM150V8	50	0,20	250	0,99
16	CTM160V8	50	0,21	250	1,04
17	CTM170V8	50	0,22	250	1,09
18	CTM180V8	50	0,23	250	1,15
19	CTM190V8	50	0,24	250	1,20
20	CTM200V8	50	0,25	250	1,25
21	CTM210V8	50	0,26	250	1,30
22	CTM220V8	50	0,27	250	1,36
23	CTM230V8	50	0,28	250	1,41



CTM_0V9 straight, locking screw flanges male

7 mm / .276" pitch

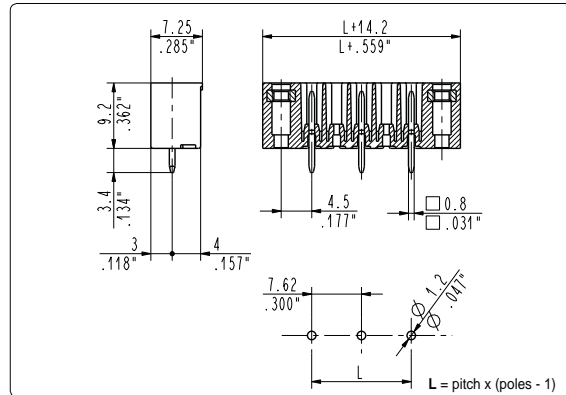
Poles	Code	Pcs/pack.	W [kg]*	Pcs/Ind.**	W [kg]*
02	CTM020V9	200	0,26	1000	1,32
03	CTM030V9	150	0,24	750	1,19
04	CTM040V9	100	0,18	500	0,92
05	CTM050V9	75	0,16	500	1,05
06	CTM060V9	75	0,18	500	1,18
07	CTM070V9	75	0,20	250	0,66
08	CTM080V9	50	0,14	250	0,72
09	CTM090V9	50	0,16	250	0,79
10	CTM100V9	50	0,17	250	0,85
11	CTM110V9	50	0,18	250	0,92
12	CTM120V9	50	0,20	250	0,98



CTM_0VT straight, locking screw flanges male

3.81 mm / .150" pitch

Poles	Code	Pcs/pack.	W [kg]*	Pcs/Ind.**	W [kg]*
02	CTM020VT	250	0,31	1250	1,53
03	CTM030VT	200	0,29	1000	1,43
04	CTM040VT	175	0,29	1000	1,64
05	CTM050VT	150	0,28	750	1,39
06	CTM060VT	125	0,26	750	1,55
07	CTM070VT	100	0,23	500	1,14
08	CTM080VT	100	0,25	500	1,24
09	CTM090VT	75	0,20	500	1,35
10	CTM100VT	75	0,22	500	1,45
11	CTM110VT	75	0,23	500	1,56
12	CTM120VT	75	0,25	500	1,66
13	CTM130VT	75	0,26	250	0,88
14	CTM140VT	50	0,19	250	0,94
15	CTM150VT	50	0,20	250	0,99
16	CTM160VT	50	0,21	250	1,04
17	CTM170VT	50	0,22	250	1,09
18	CTM180VT	50	0,23	250	1,15
19	CTM190VT	50	0,24	250	1,20
20	CTM200VT	50	0,25	250	1,25
21	CTM210VT	50	0,26	250	1,30
22	CTM220VT	50	0,27	250	1,36
23	CTM230VT	50	0,28	250	1,41



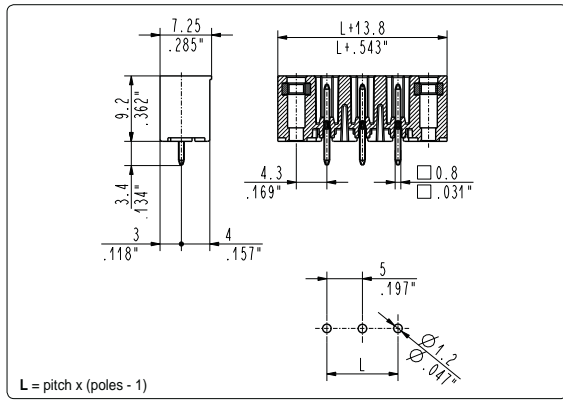
CTM_0V7 straight, locking screw flanges male

7.62 mm / .300" pitch

Poles	Code	Pcs/pack.	W [kg]*	Pcs/Ind.**	W [kg]*
02	CTM020V7	200	0,26	1000	1,32
03	CTM030V7	150	0,24	750	1,19
04	CTM040V7	100	0,18	500	0,92
05	CTM050V7	75	0,16	500	1,05
06	CTM060V7	75	0,18	500	1,18
07	CTM070V7	75	0,20	250	0,66
08	CTM080V7	50	0,14	250	0,72
09	CTM090V7	50	0,16	250	0,79
10	CTM100V7	50	0,17	250	0,85
11	CTM110V7	50	0,18	250	0,92
12	CTM120V7	50	0,20	250	0,98

*W [kg]: approximate weight per box in kg

**Industrial packaging: add "-00000E" at standard code

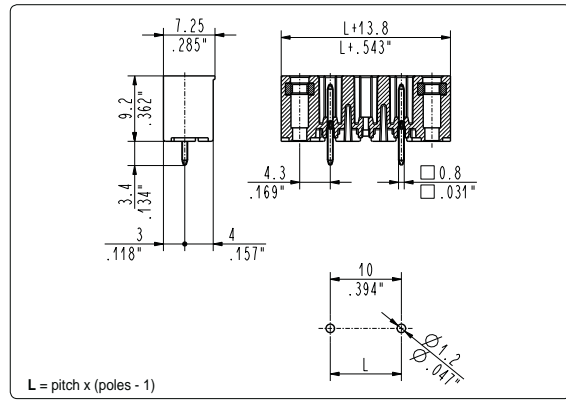


L = pitch x (poles - 1)

CTM_0V1 straight, locking screw flanges male

5 mm / .197" pitch

Poles	Code	Pcs/pack.	W [kg]*	Pcs/Ind.**	W [kg]*
02	CTM020V1	300	0,38	2000	2,56
03	CTM030V1	250	0,39	1750	2,75
04	CTM040V1	200	0,37	1750	3,26
05	CTM050V1	175	0,38	1500	3,23
06	CTM060V1	150	0,37	1250	3,05
07	CTM070V1	125	0,34	1000	2,73
08	CTM080V1	100	0,30	1000	3,02
09	CTM090V1	100	0,33	750	2,48
10	CTM100V1	75	0,27	750	2,70
11	CTM110V1	75	0,29	750	2,92
12	CTM120V1	75	0,31	750	3,14
13	CTM130V1	75	0,34	500	2,24
14	CTM140V1	75	0,36	500	2,38
15	CTM150V1	50	0,25	500	2,53
16	CTM160V1	50	0,27	500	2,67
17	CTM170V1	50	0,28	500	2,82
18	CTM180V1	50	0,30	500	2,96

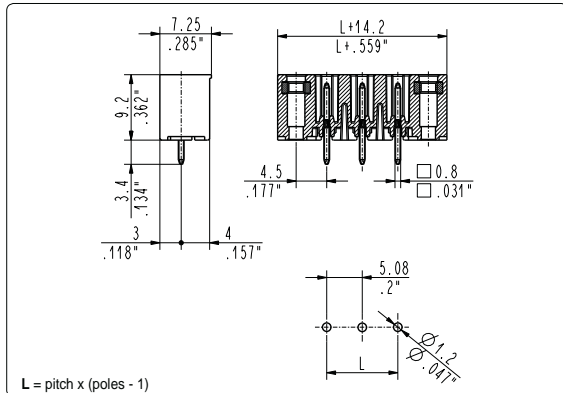


L = pitch x (poles - 1)

CTM_0V2 straight, locking screw flanges male

10 mm / .394" pitch

Poles	Code	Pcs/pack.	W [kg]*	Pcs/Ind.**	W [kg]*
02	CTM020V2	250	0,35	1750	2,42
03	CTM030V2	175	0,30	1250	2,15
04	CTM040V2	125	0,26	1000	2,06
05	CTM050V2	100	0,24	1000	2,40
06	CTM060V2	75	0,21	1000	2,74
07	CTM070V2	75	0,23	500	1,54
08	CTM080V2	50	0,17	500	1,71
09	CTM090V2	50	0,19	500	1,88

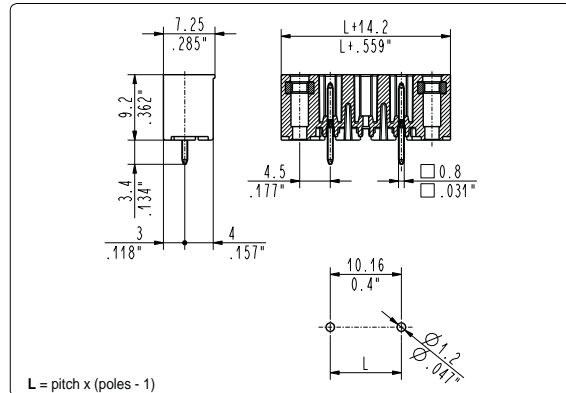


L = pitch x (poles - 1)

CTM_0V5 straight, locking screw flanges male

5.08 mm / .200" pitch

Poles	Code	Pcs/pack.	W [kg]*	Pcs/Ind.**	W [kg]*
02	CTM020V5	300	0,38	2000	2,56
03	CTM030V5	250	0,39	1750	2,75
04	CTM040V5	200	0,37	1750	3,26
05	CTM050V5	175	0,38	1500	3,23
06	CTM060V5	150	0,37	1250	3,05
07	CTM070V5	125	0,34	1000	2,73
08	CTM080V5	100	0,30	1000	3,02

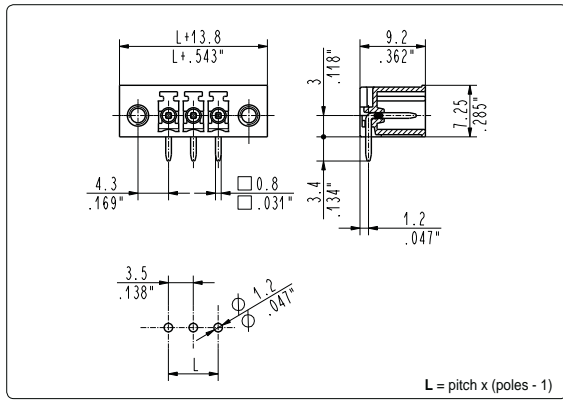


L = pitch x (poles - 1)

CTM_0V6 straight, locking screw flanges male

10.16 mm / .400" pitch

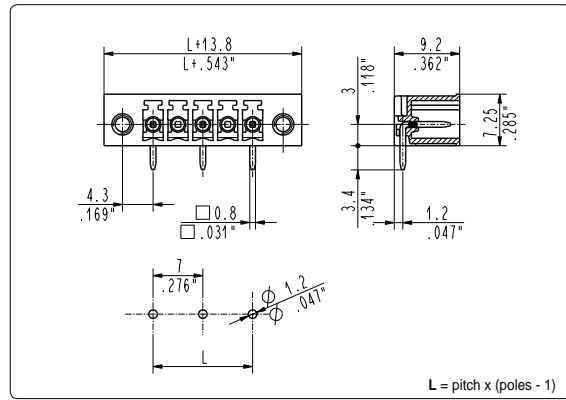
Poles	Code	Pcs/pack.	W [kg]*	Pcs/Ind.**	W [kg]*
02	CTM010V6	250	0,17	1750	1,19
03	CTM020V6	175	0,18	1250	1,28
04	CTM030V6	100	0,14	1000	1,36



CTM_9V8 90°, locking screw flanges male

3.5 mm / .138" pitch

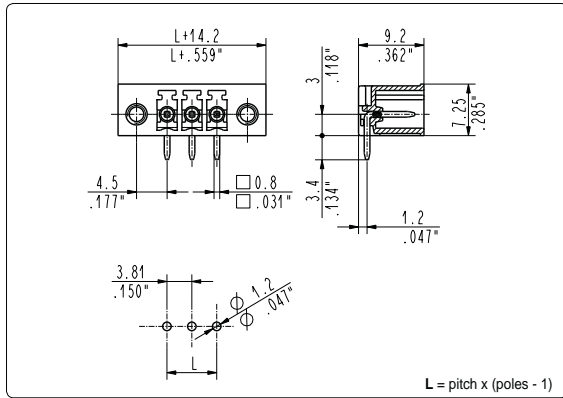
Poles	Code	Pcs/pack.	W [kg]*	Pcs/Ind.**	W [kg]*
02	CTM029V8	250	0,31	1250	1,53
03	CTM039V8	200	0,29	1000	1,43
04	CTM049V8	175	0,29	1000	1,64
05	CTM059V8	150	0,28	750	1,39
06	CTM069V8	125	0,26	750	1,55
07	CTM079V8	100	0,23	500	1,14
08	CTM089V8	100	0,25	500	1,24
09	CTM099V8	75	0,20	500	1,35
10	CTM109V8	75	0,22	500	1,45
11	CTM119V8	75	0,23	500	1,56
12	CTM129V8	75	0,25	500	1,66
13	CTM139V8	75	0,26	250	0,88
14	CTM149V8	50	0,19	250	0,94
15	CTM159V8	50	0,20	250	0,99
16	CTM169V8	50	0,21	250	1,04
17	CTM179V8	50	0,22	250	1,09
18	CTM189V8	50	0,23	250	1,15
19	CTM199V8	50	0,24	250	1,20
20	CTM209V8	50	0,25	250	1,25
21	CTM219V8	50	0,26	250	1,30
22	CTM229V8	50	0,27	250	1,36
23	CTM239V8	50	0,28	250	1,41



CTM_9V9 90°, locking screw flanges male

7 mm / .276" pitch

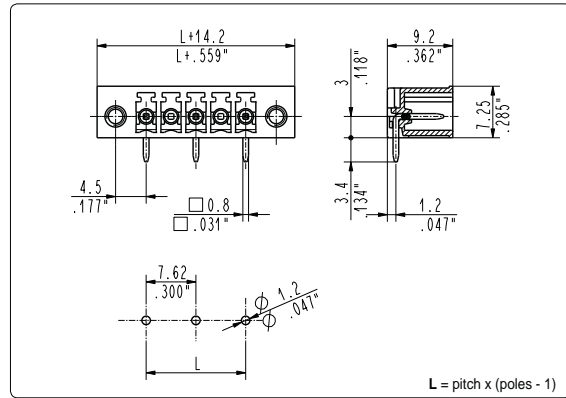
Poles	Code	Pcs/pack.	W [kg]*	Pcs/Ind.**	W [kg]*
02	CTM029V9	200	0,26	1000	1,32
03	CTM039V9	150	0,24	750	1,19
04	CTM049V9	100	0,18	500	0,92
05	CTM059V9	75	0,16	500	1,05
06	CTM069V9	75	0,18	500	1,18
07	CTM079V9	75	0,20	250	0,66
08	CTM089V9	50	0,14	250	0,72
09	CTM099V9	50	0,16	250	0,79
10	CTM109V9	50	0,17	250	0,85
11	CTM119V9	50	0,18	250	0,92
12	CTM129V9	50	0,20	250	0,98



CTM_9VT 90°, locking screw flanges male

3.81 mm / .150" pitch

Poles	Code	Pcs/pack.	W [kg]*	Pcs/Ind.**	W [kg]*
02	CTM029VT	250	0,31	1250	1,53
03	CTM039VT	200	0,29	1000	1,43
04	CTM049VT	175	0,29	1000	1,64
05	CTM059VT	150	0,28	750	1,39
06	CTM069VT	125	0,26	750	1,55
07	CTM079VT	100	0,23	500	1,14
08	CTM089VT	100	0,25	500	1,24
09	CTM099VT	75	0,20	500	1,35
10	CTM109VT	75	0,22	500	1,45
11	CTM119VT	75	0,23	500	1,56
12	CTM129VT	75	0,25	500	1,66
13	CTM139VT	75	0,26	250	0,88
14	CTM149VT	50	0,19	250	0,94
15	CTM159VT	50	0,20	250	0,99
16	CTM169VT	50	0,21	250	1,04
17	CTM179VT	50	0,22	250	1,09
18	CTM189VT	50	0,23	250	1,15
19	CTM199VT	50	0,24	250	1,20
20	CTM209VT	50	0,25	250	1,25
21	CTM219VT	50	0,26	250	1,30
22	CTM229VT	50	0,27	250	1,36
23	CTM239VT	50	0,28	250	1,41



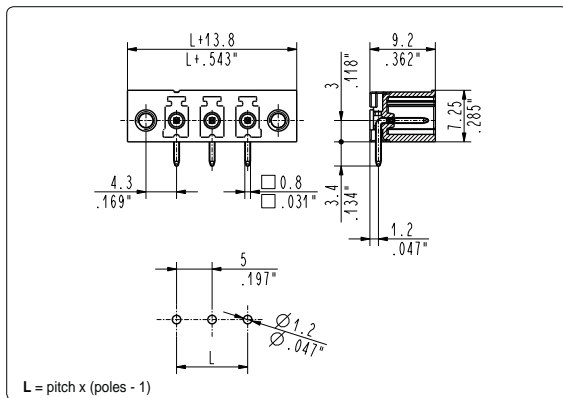
CTM_9V7 90°, locking screw flanges male

7.62 mm / .300" pitch

Poles	Code	Pcs/pack.	W [kg]*	Pcs/Ind.**	W [kg]*
02	CTM029V7	200	0,26	1000	1,32
03	CTM039V7	150	0,24	750	1,19
04	CTM049V7	100	0,18	500	0,92
05	CTM059V7	75	0,16	500	1,05
06	CTM069V7	75	0,18	500	1,18
07	CTM079V7	75	0,20	250	0,66
08	CTM089V7	50	0,14	250	0,72
09	CTM099V7	50	0,16	250	0,79
10	CTM109V7	50	0,17	250	0,85
11	CTM119V7	50	0,18	250	0,92
12	CTM129V7	50	0,20	250	0,98

*W [kg]: approximate weight per box in kg

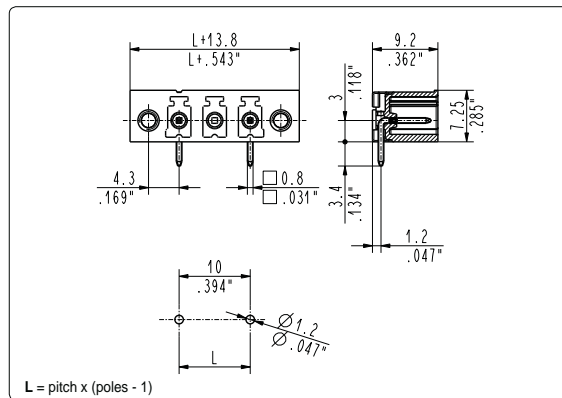
**industrial packaging: add "-00000E" at standard code



CTM_9V1 90°, locking screw flanges male

5 mm / .197" pitch

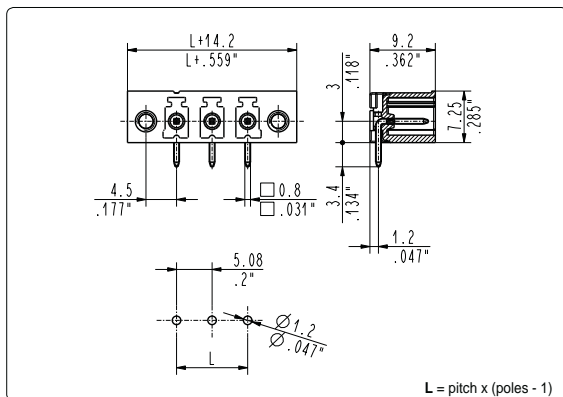
Poles	Code	Pcs/pack.	W [kg]*	Pcs/Ind.**	W [kg]*
02	CTM029V1	300	0,38	2000	2,56
03	CTM039V1	250	0,39	1750	2,75
04	CTM049V1	200	0,37	1750	3,26
05	CTM059V1	175	0,38	1500	3,23
06	CTM069V1	150	0,37	1250	3,05
07	CTM079V1	125	0,34	1000	2,73
08	CTM089V1	100	0,30	1000	3,02
09	CTM099V1	100	0,33	750	2,48
10	CTM109V1	75	0,27	750	2,70
11	CTM119V1	75	0,29	750	2,92
12	CTM129V1	75	0,31	750	3,14
13	CTM139V1	75	0,34	500	2,24
14	CTM149V1	75	0,36	500	2,38
15	CTM159V1	50	0,25	500	2,53
16	CTM169V1	50	0,27	500	2,67
17	CTM179V1	50	0,28	500	2,82
18	CTM189V1	50	0,30	500	2,96



CTM_9V2 90°, locking screw flanges male

10 mm / .394" pitch

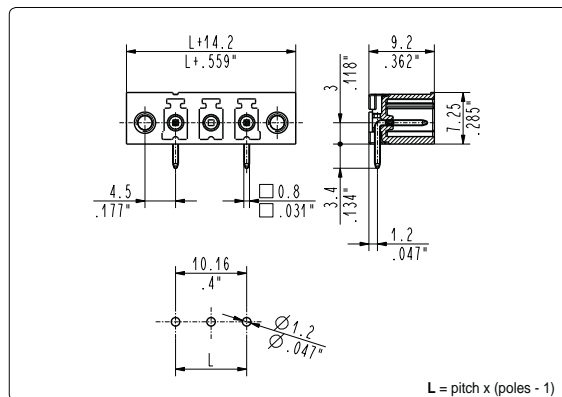
Poles	Code	Pcs/pack.	W [kg]*	Pcs/Ind.**	W [kg]*
02	CTM029V2	250	0,35	1750	2,42
03	CTM039V2	175	0,30	1250	2,15
04	CTM049V2	125	0,26	1000	2,06
05	CTM059V2	100	0,24	1000	2,40
06	CTM069V2	75	0,21	1000	2,74
07	CTM079V2	75	0,23	500	1,54
08	CTM089V2	50	0,17	500	1,71
09	CTM099V2	50	0,19	500	1,88



CTM_9V5 90°, locking screw flanges male

5.08 mm / .200" pitch

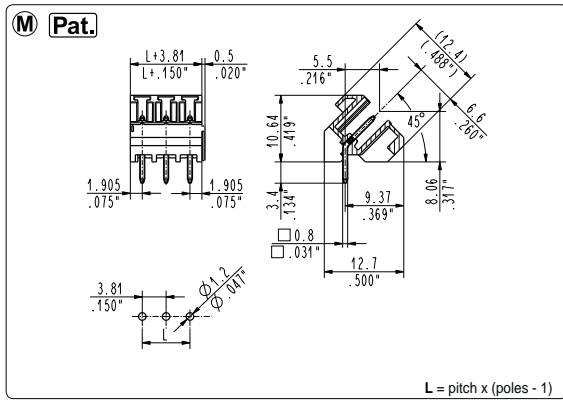
Poles	Code	Pcs/pack.	W [kg]*	Pcs/Ind.**	W [kg]*
02	CTM029V5	300	0,38	2000	2,56
03	CTM039V5	250	0,39	1750	2,75
04	CTM049V5	200	0,37	1750	3,26
05	CTM059V5	175	0,38	1500	3,23
06	CTM069V5	150	0,37	1250	3,05
07	CTM079V5	125	0,34	1000	2,73
08	CTM089V5	100	0,30	1000	3,02



CTM_9V6 90°, locking screw flanges male

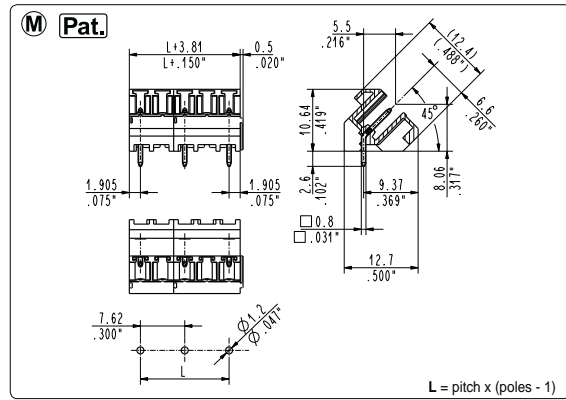
10.16 mm / .400" pitch

Poles	Code	Pcs/pack.	W [kg]*	Pcs/Ind.**	W [kg]*
02	CTM019V6	200	0,26	1000	1,32
03	CTM029V6	150	0,24	750	1,19
04	CTM039V6	100	0,18	500	0,92



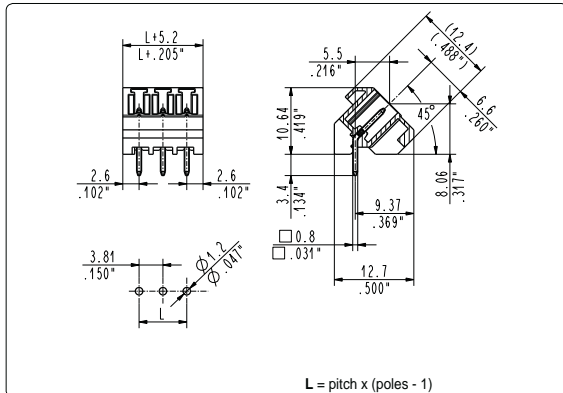
CTM_4MT 45°, modular male

3.81 mm / .150" pitch					
Poles	Code	Pcs/pack.	W [kg]*	Pcs/Ind.**	W [kg]*
02	CTM024MT	500	0,21	2000	0,84
03	CTM034MT	400	0,25	1750	1,10
04	CTM044MT	300	0,25	1500	1,26
05	CTM054MT	250	0,26	1500	1,58
06	CTM064MT	200	0,25	1250	1,58
07	CTM074MT	175	0,26	1250	1,84
08	CTM084MT	125	0,21	1000	1,68
09	CTM094MT	125	0,24	750	1,42
10	CTM104MT	100	0,21	750	1,57
11	CTM114MT	100	0,23	750	1,73
12	CTM124MT	75	0,19	750	1,89
13	CTM134MT	75	0,20	750	2,05
14	CTM144MT	100	0,29	750	2,21
15	CTM154MT	100	0,32	750	2,36
16	CTM164MT	100	0,34	750	2,52



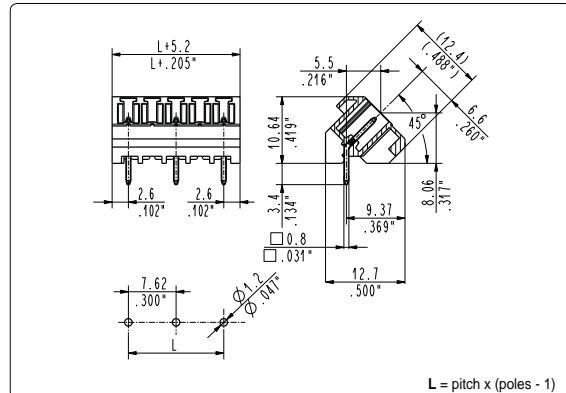
CTM_4M7 45°, modular male

7.62 mm / .300" pitch					
Poles	Code	Pcs/pack.	W [kg]*	Pcs/Ind.**	W [kg]*
01	CTM014M7	500	0,13	2000	0,52
02	CTM024M7	400	0,21	1750	0,91
03	CTM034M7	250	0,20	1500	1,17
04	CTM044M7	175	0,18	750	0,78
05	CTM054M7	125	0,16	500	0,65
06	CTM064M7	100	0,10	500	0,78
07	CTM074M7	100	0,18	250	0,46
08	CTM084M7	100	0,21	250	0,52



CTM_4PT 45°, polarized male

3.81 mm / .150" pitch					
Poles	Code	Pcs/pack.	W [kg]*	Pcs/Ind.**	W [kg]*
02	CTM024PT	500	0,26	2000	1,04
03	CTM034PT	400	0,31	1750	1,37
04	CTM044PT	300	0,31	1500	1,56
05	CTM054PT	250	0,33	1500	1,95
06	CTM064PT	200	0,31	1250	1,95
07	CTM074PT	175	0,32	1250	2,28
08	CTM084PT	125	0,26	1000	2,08
09	CTM094PT	125	0,29	750	1,42
10	CTM104PT	100	0,26	750	1,57
11	CTM114PT	100	0,29	750	2,15
12	CTM124PT	75	0,23	750	2,34
13	CTM134PT	75	0,25	750	2,54
14	CTM144PT	100	0,36	750	2,73
15	CTM154PT	100	0,39	750	2,93
16	CTM164PT	100	0,42	750	3,12

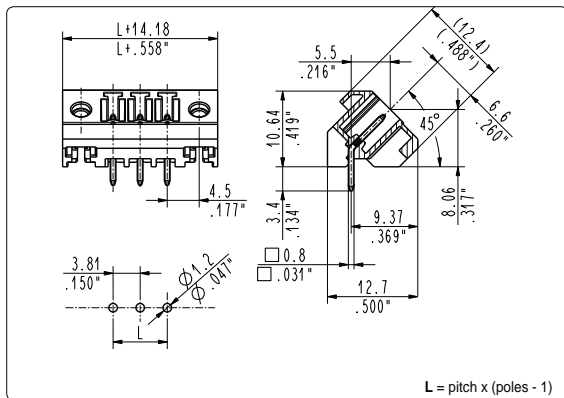


CTM_4P7 45°, polarized male

7.62 mm / .300" pitch					
Poles	Code	Pcs/pack.	W [kg]*	Pcs/Ind.**	W [kg]*
02	CTM024P7	400	0,25	1750	1,09
03	CTM034P7	250	0,23	1500	1,40
04	CTM044P7	175	0,22	750	0,93
05	CTM054P7	125	0,19	500	0,78
06	CTM064P7	100	0,19	500	0,93
07	CTM074P7	100	0,22	250	0,55
08	CTM084P7	100	0,25	250	0,62

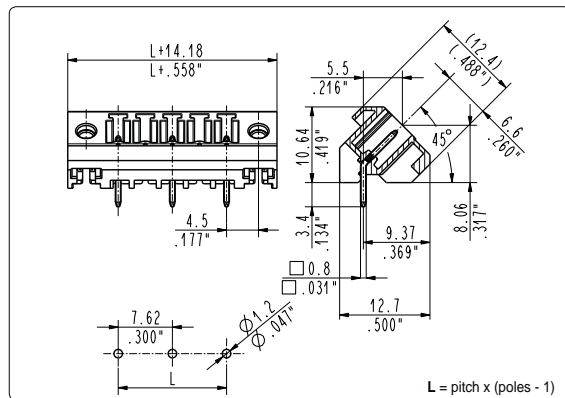
*W [kg]: approximate weight per box in kg

**industrial packaging: add "-00000E" at standard code



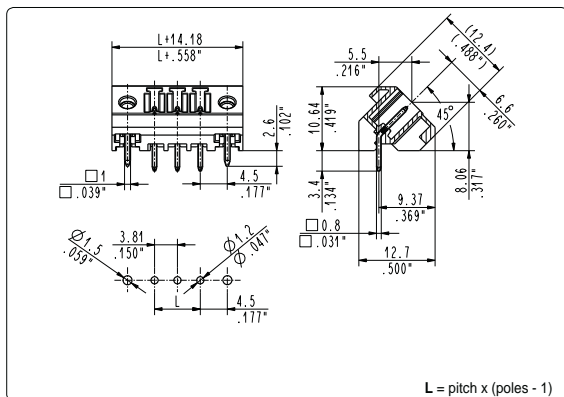
CTM_4VT 45°, locking screw flanges male

3.81 mm / .150" pitch					
Poles	Code	Pcs/pack.	W [kg]*	Pcs/Ind.**	W [kg]*
02	CTM024VT	250	0,31	1250	1,53
03	CTM034VT	200	0,29	1000	1,43
04	CTM044VT	175	0,29	750	1,64
05	CTM054VT	150	0,28	750	1,39
06	CTM064VT	125	0,26	750	1,55
07	CTM074VT	100	0,43	500	2,14
08	CTM084VT	100	0,49	500	2,45
09	CTM094VT	75	0,41	500	2,75
10	CTM104VT	75	0,46	500	3,06
11	CTM114VT	75	0,50	500	3,37
12	CTM124VT	75	0,55	500	3,67
13	CTM134VT	75	0,60	250	1,99
14	CTM144VT	50	0,43	250	2,14
15	CTM154VT	50	0,46	250	2,30
16	CTM164VT	50	0,49	250	2,45



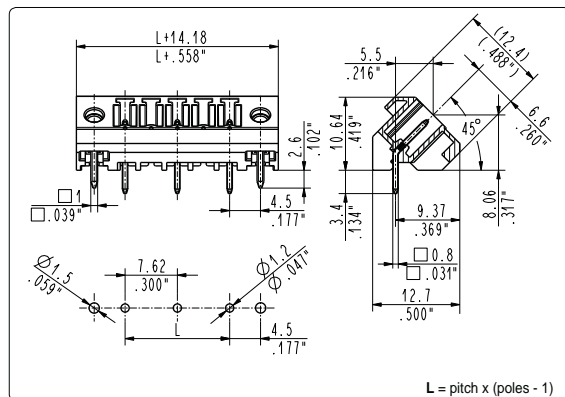
CTM_4V7 45°, locking screw flanges male

7.62 mm / .300" pitch					
Poles	Code	Pcs/pack.	W [kg]*	Pcs/Ind.**	W [kg]*
02	CTM024V7	200	0,26	1000	1,32
03	CTM034V7	150	0,24	750	1,19
04	CTM044V7	100	0,26	500	1,32
05	CTM054V7	75	0,25	500	1,65
06	CTM064V7	75	0,30	500	1,98
07	CTM074V7	75	0,35	250	1,16
08	CTM084V7	50	0,26	250	1,32



CTM_4FT 45°, locking screw flanges & fake pin

3.81 mm / .150" pitch					
Poles	Code	Pcs/pack.	W [kg]*	Pcs/Ind.**	W [kg]*
02	CTM024FT	250	0,31	1250	1,53
03	CTM034FT	200	0,29	1000	1,43
04	CTM044FT	175	0,29	750	1,64
05	CTM054FT	150	0,28	750	1,39
06	CTM064FT	125	0,26	750	1,55
07	CTM074FT	100	0,43	500	2,14
08	CTM084FT	100	0,49	500	2,45
09	CTM094FT	75	0,41	500	2,75
10	CTM104FT	75	0,46	500	3,06
11	CTM114FT	75	0,50	500	3,37
12	CTM124FT	75	0,55	500	3,67
13	CTM134FT	75	0,60	250	1,99
14	CTM144FT	50	0,43	250	2,14
15	CTM154FT	50	0,46	250	2,30
16	CTM164FT	50	0,49	250	2,45



CTM_4F7 45°, locking screw flanges & fake pin

7.62 mm / .300" pitch					
Poles	Code	Pcs/pack.	W [kg]*	Pcs/Ind.**	W [kg]*
02	CTM024F7	200	0,26	1000	1,32
03	CTM034F7	150	0,24	750	1,19
04	CTM044F7	100	0,26	500	1,32
05	CTM054F7	75	0,25	500	1,65
06	CTM064F7	75	0,30	500	1,98
07	CTM074F7	75	0,35	250	1,16
08	CTM084F7	50	0,26	250	1,32