

CHF - CLMH

Functional characteristics



Dimensional class:

low



Standard colour:

green



Dimensions:

12.5 x 17 mm
(.492 x .669 in)



Max approved wire size:

solid: 1.5 mm² (IEC EN); 16 AWG (UL)
stranded: 1.5 mm² (IEC EN); 16 AWG (UL)

Wire entry size:

3 x 1.65 mm (0.118 x .065 in)



Versions:

modular (CHF)
side stackable (CLMH)



Single mould poles (CLMH):

from 1 to 8



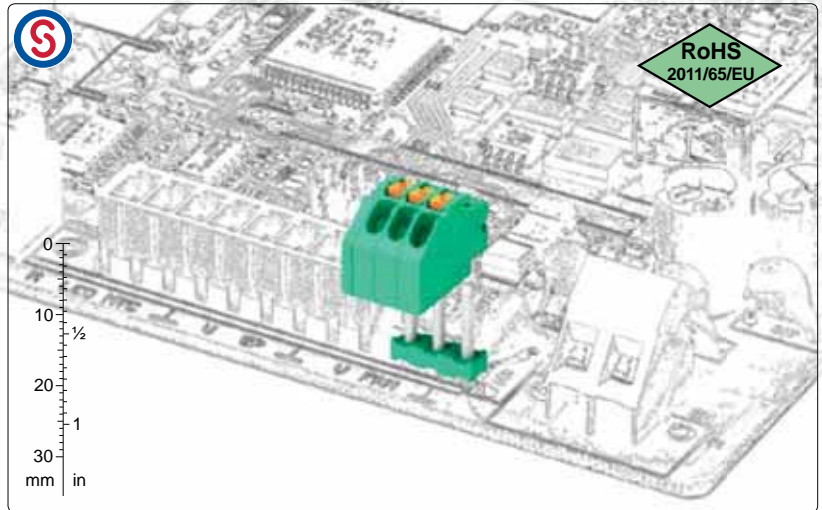
Pitches:

metric 3.5 mm, 7 mm
(.138 in, .276 in)



Solderable at a temperature up to

270°C / 518°F



new

pitch 3.5 mm
CHF modular



new

pitch 7 mm
CHF modular



new

S 270°C
pitch 3.5 mm
CLMH side stackable



new

S 270°C
pitch 7 mm
CLMH side stackable



new

S 270°C
CLMH with large base

Brief description

Although the CHF female connector series, mated with the CLMH male connector series, is small in size it offers a high number of connection possibilities; in fact it can wire up to 1.5mm² (16AWG) and a current range of 4A can be reached.

It is available in 3.5 mm (.138 in), and 7 mm (.276 in) metric pitches, in monolithic housings from 1 pole, modular version.

All CHF housings are modular, therefore it is possible to create

connectors with any number of poles and/or colour. By taking advantage of this particular feature a minimum quantity of basic terminal blocks can be stored.

It is simple to manage products, warehouse and assembly in Kit packages because several versions can be obtained with only one code, therefore both part-numbers and the risk of making mistakes are significantly reduced.



Components features

Lead free tin plated steel clamping spring

Polyamide housing.

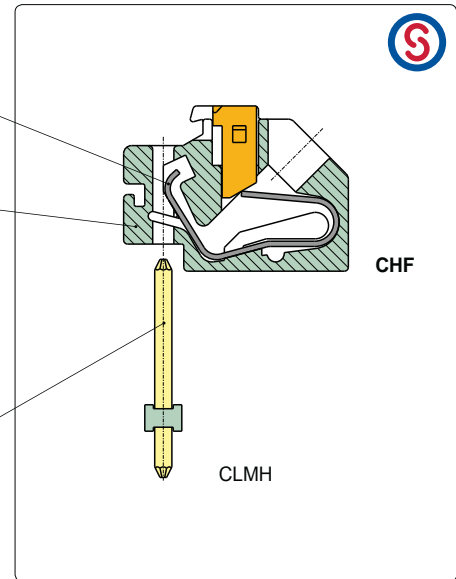
Standard colour: GREEN.

V0 self-extinguishing according to UL 94.

Chlorinated solvents resistant,
with no phosphor, dioxin or detrimental to health halogens.
Material Group I (CTI \geq 600 V)

Easy to solder lead-free

tin plated copper alloy pin



Mechanical features

Insertion force per pole	max 2.5 N (max 22.1 lbf)
Withdrawal force per pole	min 4.5 N (min 39.8 lbf)
Stripping length	8.5 \pm 10 mm (.335 \pm .394 in)
Operating temperature range	-40 °C + +110 °C (-40 °F + +230 °F)
Climatic category	40/110/21 according to EN 60068-1

Electrical features*

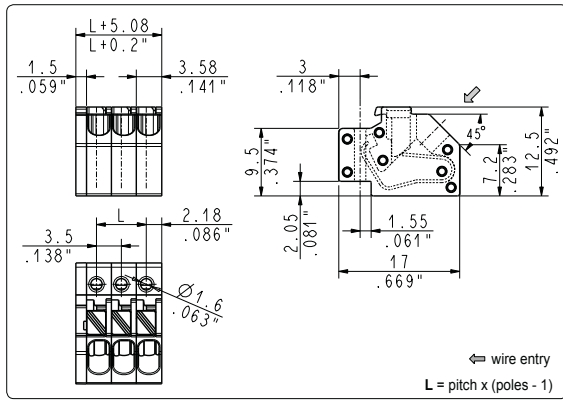
Solid wire section	0.5 \pm 1.5 mm ² (IEC EN)* 24+16 AWG (UL)*
Stranded wire section	0.5 \pm 1.5 mm ² (IEC EN)* 24+16 AWG (UL)*
Rated voltage for 3.5 mm (.138 in)	320 V (overvoltage cat./pollution deg. II/2)*
Rated voltage for 7 mm (.276 in)	1000 V (overvoltage cat./pollution deg. II/2)*
Rated current	4 A (IEC EN)*
Contact resistance	<15 m Ω
Insulation resistance	>10 ⁹ Ω (500V DC)

*All the a.m. data refer to the highest values amongst the certified ones.

V voltage, I current values and tightening torque are related to the norms to be applied to the product and to its use.

Approvals

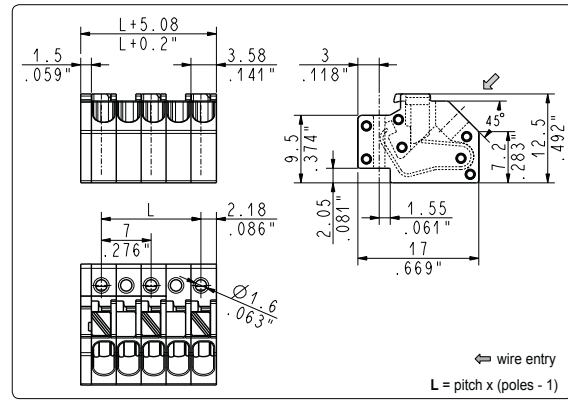
IEC-EN	IEC:	for 5 mm pitch:	150 V - 4 A - 1.5 mm ² - T110 - 2.5kV - III/2
	EN 61984	for 10 mm pitch:	600 V - 4 A - 1.5 mm ² - T110 - 6kV - III/2
UL	UL:	150 V - 2 A - 24+16 AWG for 3.5 mm and 7 mm pitch	
	file E167473	Application values for end-use equipment have to be in accordance to UL norms and applicable to them.	



CHF_008 45°, modular female

3.5 mm / .138" pitch

Poles	Code	Pcs/pack.	W [kg]*	Pcs/Ind.**	W [kg]*
02	CHF02008	400	0,63	1600	2,53
03	CHF03008	400	0,88	1600	3,54
04	CHF04008	300	0,85	1200	3,41
05	CHF05008	300	1,04	1200	4,17
06	CHF06008	200	0,82	800	3,29
07	CHF07008	200	0,95	800	3,79
08	CHF08008	200	1,07	800	4,30

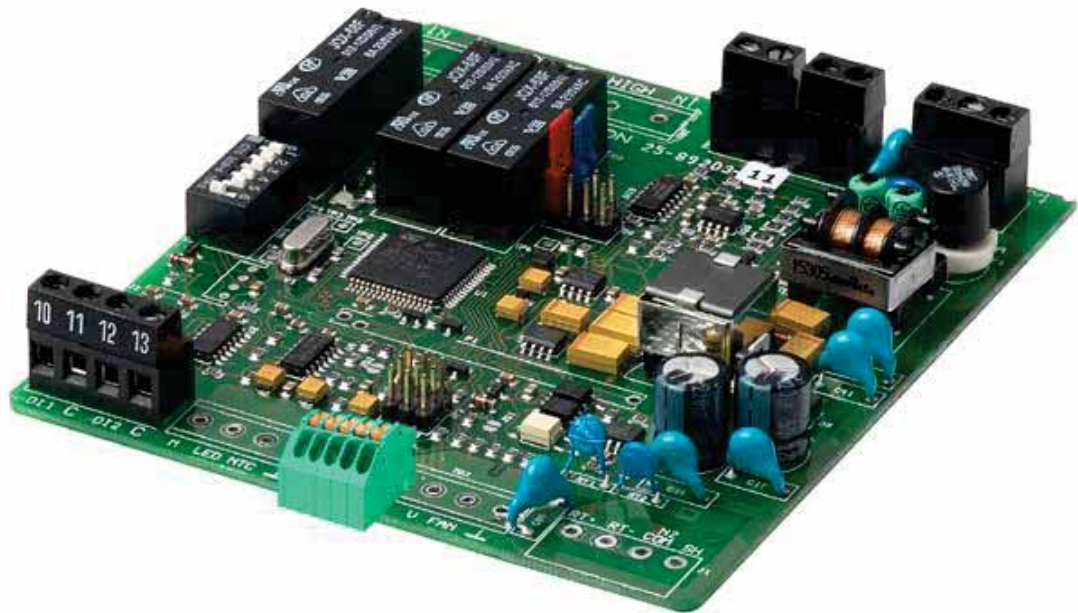


CHF_009 45°, modular female

7 mm / .276" pitch

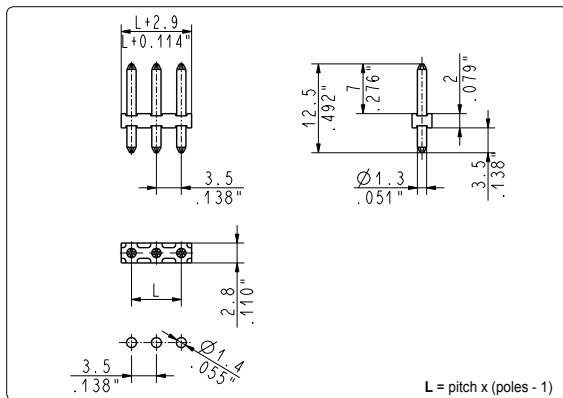
Poles	Code	Pcs/pack.	W [kg]*	Pcs/Ind.**	W [kg]*
02	CHF02009	400	0,95	1600	3,79
03	CHF03009	300	1,02	1200	4,08
04	CHF04009	200	0,88	800	3,54

example of application



*W [kg]: approximate weight per box in kg

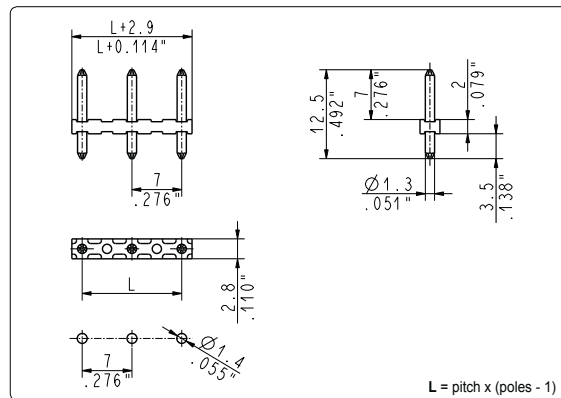
**industrial packaging: add "-00000E" at standard code



L = pitch x (poles - 1)

CLMH_0A8-0N straight, side stackable male

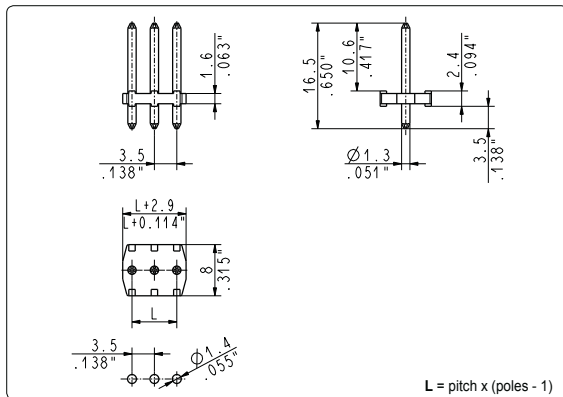
3.5 mm / .138" pitch					
Poles	Code	Pcs/pack.	W [kg]*	Pcs/Ind.**	W [kg]*
02	CLMH020A8-0N	400	0,13	1600	0,51
03	CLMH030A8-0N	400	0,19	1600	0,77
04	CLMH040A8-0N	300	0,19	1200	0,77
05	CLMH050A8-0N	300	0,24	1200	0,95
06	CLMH060A8-0N	200	0,19	800	0,77
07	CLMH070A8-0N	200	0,23	800	0,89
08	CLMH080A8-0N	200	0,26	800	1,02



L = pitch x (poles - 1)

CLMH_0A9-0N straight, side stackable male

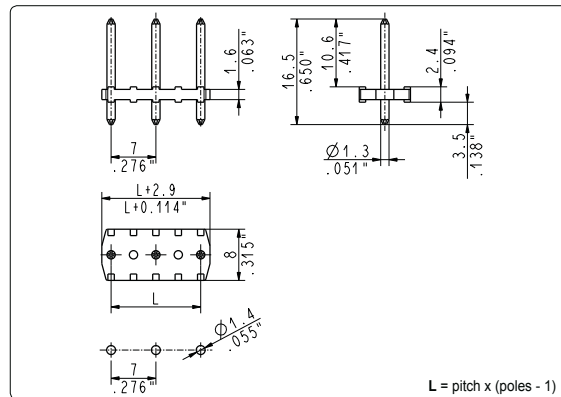
7 mm / .276" pitch					
Poles	Code	Pcs/pack.	W [kg]*	Pcs/Ind.**	W [kg]*
02	CLMH020A9-0N	400	0,14	1600	0,58
03	CLMH030A9-0N	300	0,16	1200	0,65
04	CLMH040A9-0N	200	0,14	800	0,58



L = pitch x (poles - 1)

CLMH_0L8-0N straight, side stackable with large base

3.5 mm / .138" pitch					
Poles	Code	Pcs/pack.	W [kg]*	Pcs/Ind.**	W [kg]*
02	CLMH020L8-0N	400	0,20	1600	0,78
03	CLMH030L8-0N	400	0,29	1600	1,18
04	CLMH040L8-0N	300	0,29	1200	1,18
05	CLMH050L8-0N	300	0,37	1200	1,47
06	CLMH060L8-0N	200	0,29	800	1,18
07	CLMH070L8-0N	200	0,34	800	1,37
08	CLMH080L8-0N	200	0,39	800	1,55



L = pitch x (poles - 1)

CLMH_0L9-0N straight, side stackable with large base

7 mm / .276" pitch					
Poles	Code	Pcs/pack.	W [kg]*	Pcs/Ind.**	W [kg]*
02	CLMH020L9-0N	400	0,22	1600	0,90
03	CLMH030L9-0N	300	0,25	1200	1,01
04	CLMH040L9-0N	200	0,22	800	0,90