

Series 2000

.4375", 11.11mm Center-to-Center Spacing


Current Rating: UL: 30 amps
CSA: 20 amps


Voltage Rating:

CSA – 300V
UL – 150V – General Industrial
250V – Commercial Appliance
300V – Limited Energy Industrial

Breakdown Voltage:

Terminal - Terminal 4,400V Typ.
Terminal - Ground 7,700V Typ.

 **Recognized under the Components Program of Underwriters Laboratories, Inc. Standard 1059, Guide No. XCFR2, File No. E62557.**

 **Guide No. 22.2 No. 158, Report No. LR39186-1.**

No. of Terminals: 1 through 26

Wire Range: Up to No. 10AWG (CSA requires use of lugs on wire larger than No. 16AWG.)

Tightening Torque: Wire Clamp and Wire Binding Screw
12 in.-lbs.

Housing:

Material	Polyphenylene Oxide
Continuous Use Temp. (UL Index)	110°C (230°F)
Flammability Rating	UL 94V-0



Features:

- **Flexible Hi-Temp Thermoplastic Terminal Blocks** – Self-extinguishing types which resist breakage and damage (conforms to UL94V-0).
- **Terminal Flexibility** – Ideal for surface mount, sub-panel or chassis connections in electronic/electrical circuit applications.
- **Economical Closed-Back Design** – No need for costly insulation strips.
- **Options** – No. 6-32 external twin screws, Variations include double solder lug, single solder lug, wire wrap, solder pin and printed circuit pin.
- **UL/CSA Electrical Ratings** – UL 30A, CSA 20A.
- **Recognition and Listing** – UL recognized and CSA certified.

INTERNAL TERMINAL DESIGNATIONS

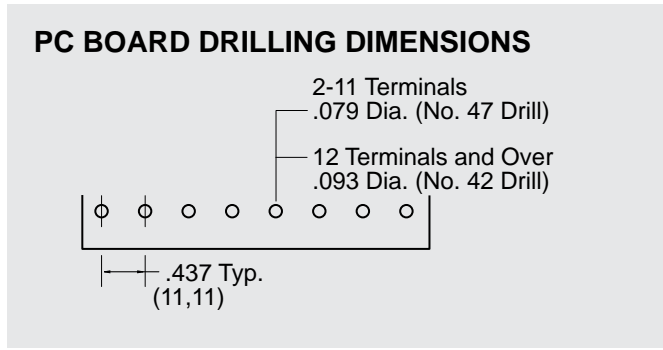
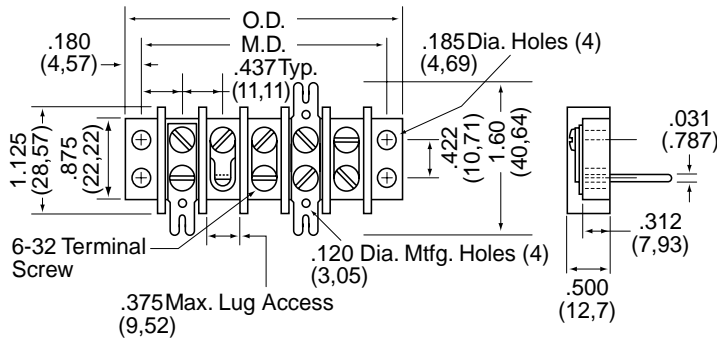
2000-Y	Printed circuit board design with .062" x .031" solderable tin-plated pin
2000-YSY	Solder pin
2000-YWY	Wire wrap

EXTERNAL TERMINAL DESIGNATIONS

2000	Screw terminal with No. 6-32 plated steel* screw accepting up to No. 10AWG wire
2000-ST	Solderable tin-plated double solder tab
2000-3/4ST	Solderable tin-plated single solder tab
2000-W	Wire clamp captivated to a No. 6-32 plated steel screw

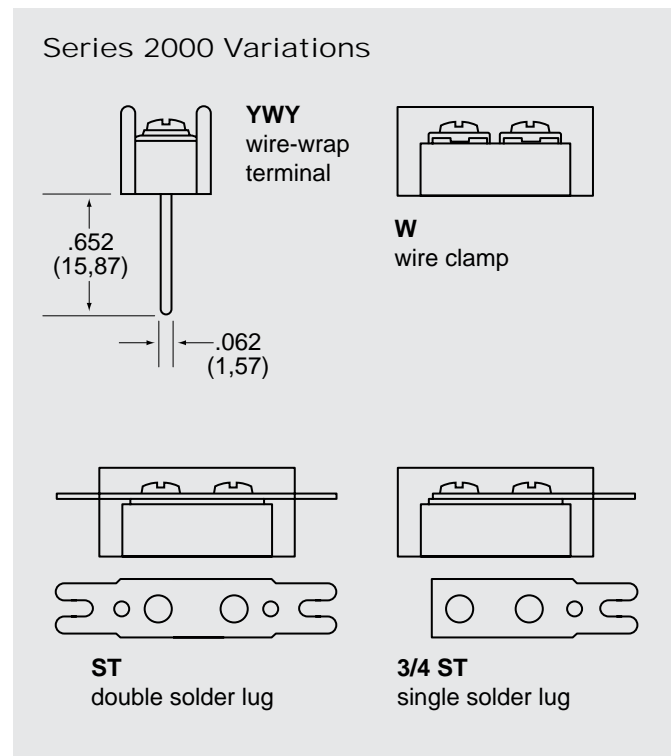
* Other materials may be available – contact sales or your local representative for additional information.

Mechanical Drawing



Number of Terminals	Mounting Dimensions		Overall Dimensions	
	Inches	Metric (mm)	Inches	Metric (mm)
1	.875	22.22	1.235	31.36
2	1.312	33.33	1.672	42.48
3	1.750	44.45	2.110	53.59
4	2.187	55.56	2.547	64.70
5	2.625	66.67	2.985	75.81
6	3.062	77.78	3.422	86.93
7	3.500	88.90	3.860	98.04
8	3.937	100.01	4.297	109.15
9	4.375	111.12	4.735	120.26
10	4.812	122.23	5.172	131.38
11	5.250	133.35	5.610	142.49
12	5.687	144.46	6.047	153.60
13	6.125	155.57	6.485	164.71
14	6.562	166.68	6.922	175.83
15	7.000	177.80	7.360	186.94
16	7.437	188.91	7.797	198.05
17	7.875	200.02	8.235	209.16
18	8.312	211.13	8.672	220.28
19	8.750	222.25	9.110	231.39
20	9.187	233.36	9.547	242.50
21	9.625	244.47	9.985	253.61
22	10.062	255.58	10.422	264.73
23	10.500	266.70	10.860	275.84
24	10.938	277.83	11.299	286.77
25	11.376	288.95	11.736	298.09
26	11.814	300.08	12.174	309.22

Dimensions Shown are ± 0.030"



Part Number

How to Order

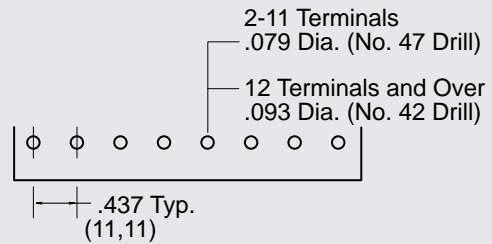
2000 Series terminal blocks are ordered by listing a composite number made up of the model designation in which the last two digits indicate the number of poles required for the application. Example: A 2000 10-terminal block becomes stock number 2010.

Suffixes are used as follows:

- ST double solder lug
- 3/4ST single solder lug
- Y printed circuit pin
- YSY solder pin
- YWY wire wrap
- W wire clamp

The 2010 described above, with double solder lug mounting thus converts to stock number 2010-ST. To specify quick-connect terminals, simply add the style number required. (See accessories.) May be purchased factory-assembled or customer-installed.

PC BOARD DRILLING DIMENSIONS

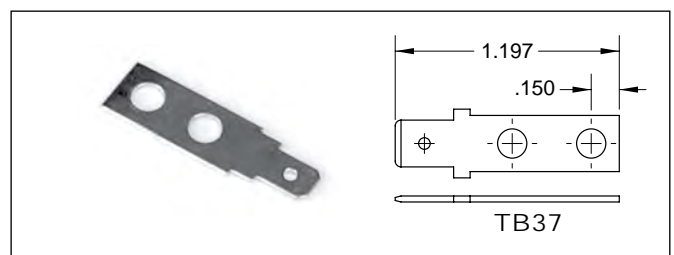
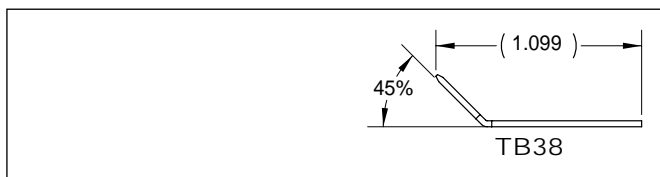
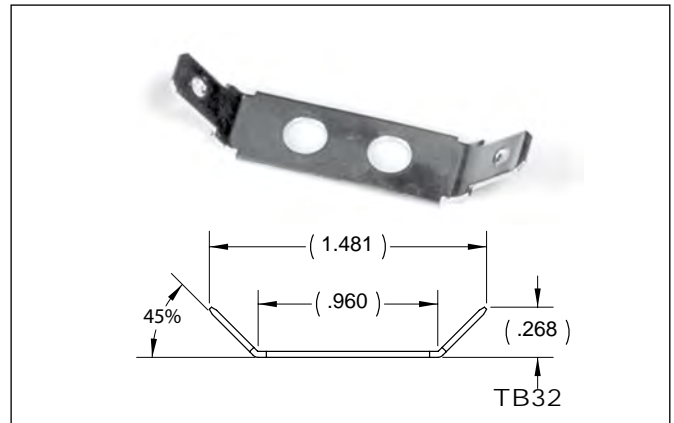
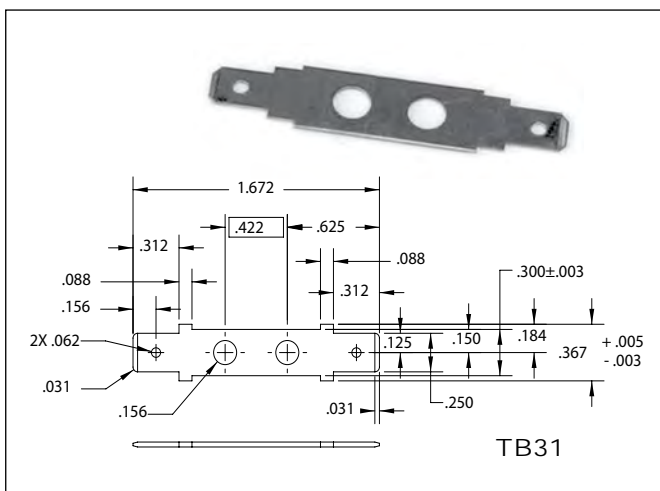
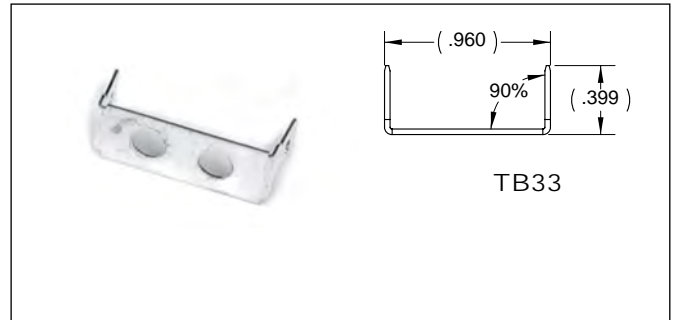


Accessories

Series 2000 Accessories

QUICK-CONNECT TERMINALS

2000 – Available with .250" x .032" for 2000 series. Nine styles of tin-plated brass tabs held in place by terminal screws. Up to six terminations per pole. To order, specify: 2000 Series: Part No. TB31 through TB38



Accessories



MARKING STRIPS

Pre-punched black fiber mounts under block. May be imprinted to customer specifications.

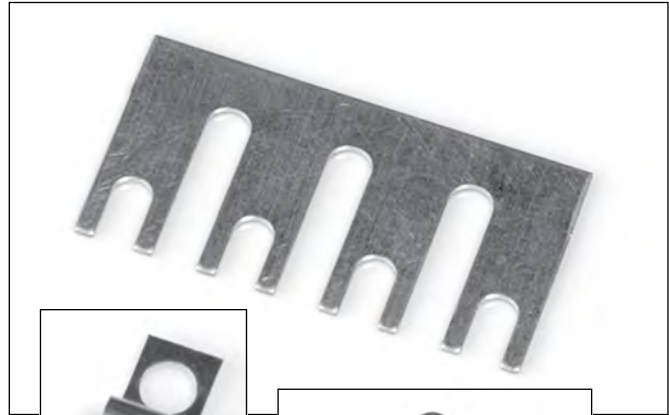
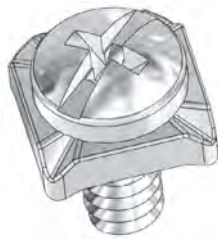
To order, specify:

2000 Series – Part No. 247A11-1 thru 22
(0882250XX)

WIRE CLAMP

Wire clamp captivated to No. 6-32 screw eliminates need for lugs.

2000 Series – Part No. 058526700



Part No.
068240100

Part No. 068245100



COVERS

Rigid .030" thick self-extinguishing vinyl. Complete with spring clips for attaching to mounting positions. To order, specify:

2000 Series – Part No. 247B25-1 through 26 terminals
(0193XX000)

TERMINAL BLOCK JUMPERS

2000 – Plated brass in two styles. Types 267A28 (080530100) is designed to jump two adjacent terminals as it is channeled to cross over the barrier top. "Rooster comb" design of Type 267A42 (0682106XX) permits connections of two to 18 poles. To order, specify: Part No. 267A42 (plus no. of poles) (0682106XX)

Example: 267A42-18 (0652106XX)