

Curtis® liquid level controls

Model ELS

Economical unit with sensitivity up to 100,000 ohms

Features

- Solid State Amplifier with SCR and Control Relay
- Low AC Signal Voltage
- Compact Printed Circuit Design
- 1/4" Quick-Connect Terminals
- Insensitive to Transients
- Built-in Holding Circuit for Differential Levels or Manual Reset
- Plug-in Dust-Tight Relay
- Recognized Under the Components Program of Underwriters Laboratories, Inc. Listed with Canadian Standards Association.

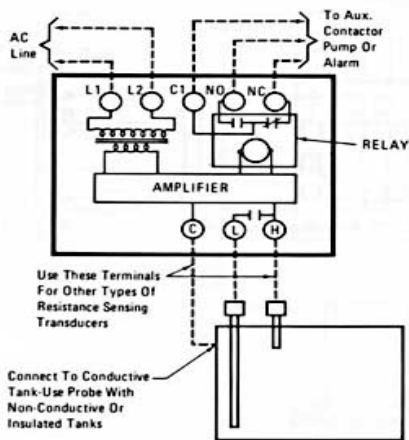


Specifications

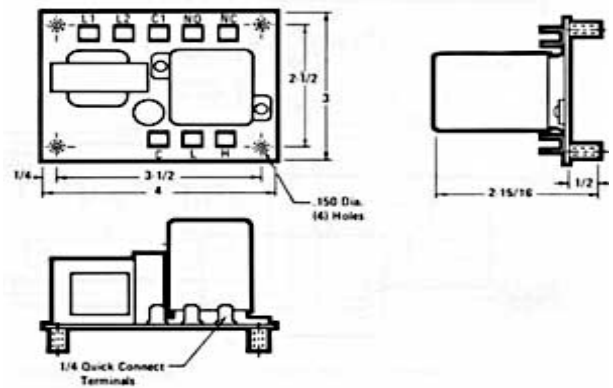
Input Supply:	Model ELS-1-A,B,C ELS-1-A,B,C	Input Supply 120VAC, 50/60 Hz 240VAC, 50/60 Hz
Maximum Allowable Supply Voltage Variation:	± 10%	
Maximum Power Consumption:	3 Watts	
Detectable Range:	ELS-1,2-A	100,000 ohms
	ELS-1,2-B	50,000 ohms
	ELS-1,2-C	25,000 ohms

Maximum Signal or Probe Voltage: 24VAC
Maximum Signal or Probe Current: 10MA
Control Relay: Single Pole Double Throw, Plug-in Type with Dust-Tight Cover
Load Contacts: SPST Rated – 1/4 HP, 10 Amps, 120VAC
 1/3 HP, 10 Amps, 240VAC
Ambient Operating Temperature: 32° F to 140° F
Standard Termination: .250" Quick-Connects

Outline and Mounting Dimensions



Connection Diagrams



This is a fixed-sensitivity, forward mode control. The control relay is energized when liquid rises to contact the "H" probe. The control relay is pulled in and remains energized until liquid drops below the "L" probe.

Ordering Information

Typical Curtis Model Number

Model (Also refer to "Specifications" above) _____ **ELS-1** _____
 Detectable Range (A-100 k ohms, B-50 k ohms, C-25 k ohms) _____ **-A-** _____
 Enclosure – specify only if necessary – _____
 N3-NEMA 3, N4-NEMA 4 JIC _____

The composite number above reads as "an ELS amplifier for 120VAC supply, without enclosure, and with 100 K ohms sensitivity."

For further information on catalog listed controls contact your area Curtis representative or Curtis distributor.
 For custom design or modification contact your area Curtis Representative or the factory direct.