

# CUS Series

## CUS8 and CUS11

### 8 and 11-Pin Unitized Octal-Type Socket Assemblies

#### Specifications:

**Rating:** 10 amps, 300 volts

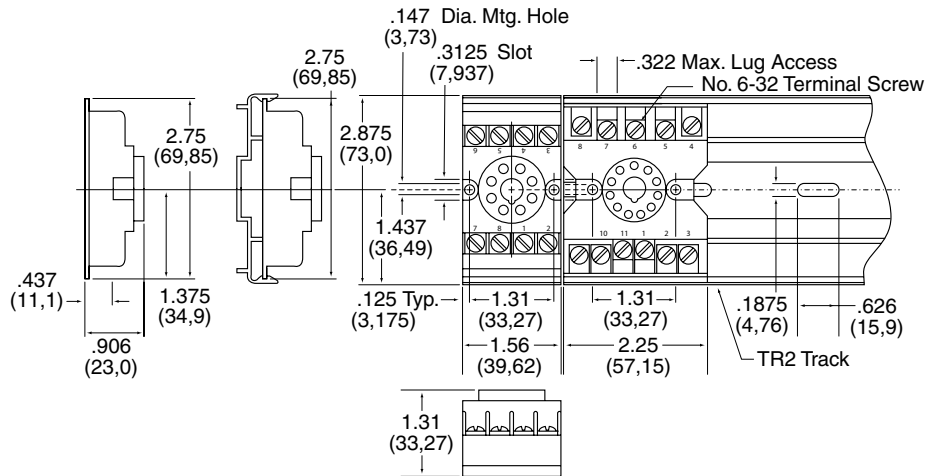
**Track:** TR2

48" length holds up to 30 CUS8 sockets and 21 CUS11 sockets

**Terminals:** 6 thru 32 with captivated traveling nut

**Wire:** Up to No. 12AWG wire

**Sockets:** CUS8 – 8-pin receptacle for 2PDT octal relay or timer  
CUS11 – 11-pin receptacle for 3PDT octal relay or timer



## CUS5, CUS12 and CUS16

### 5, 8 and 11-Pin Unitized Square-Base Relay-Type Socket Assemblies

#### Specifications:

**Rating:** 15 amps, 250 volts (CSA rated 15 amps, 125 volts)

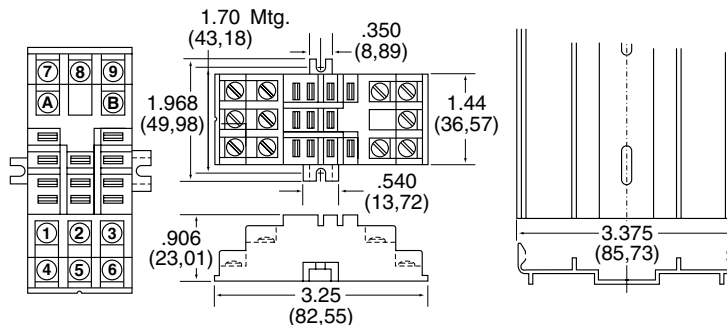
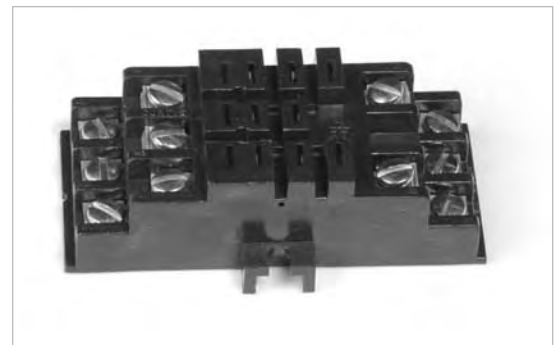
**Track:** TR3

48" length holds up to 28 sockets

**Terminals:** 6 thru 32 with captivated traveling nut

**Wire:** Up to No. 14AWG wire

**Sockets:** CUS12 – 11-pin receptacle for 3PDT square-base barrier-type plug-in relays  
CUS16 – 8-pin receptacle for 2PDT square-base, barrier type plug-in relays  
CUS5 – 5-pin receptacle for SPDT square-base, barrier type plug-in relays



RELAY SOCKETS



# RS Series

## RS8

### 8-Pin Octal-Type Socket Assemblies

#### Specifications:

**Rating:** 10 amps, 250 volts

**Track:** TR2

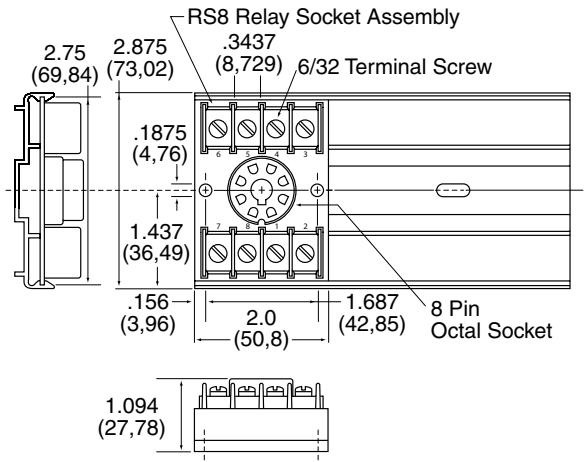
48" length holds up to 24 sockets

**No. of Terminals:** RS8 – No. 6-32 screws, 7/16" center-to-center spacing



**Wire:** RS8 – up to No. 12 AWG (lugs are recommended on wire larger than No. 16AWG)

**Sockets:** 8-pin octal receptacle to accept standard 2PDT chamber allows relays to be rocked out without danger of damaging relay center posts. PC board has center post clearance hole to allow relays with screws in center post. Phosphor bronze contacts for better pin contact and retention.



## RS11

### 11-Pin Octal-Type Socket Assemblies

#### Specifications:

**Rating:** 10 amps, 250 volts

**Track:** TR2

48" length holds up to 16 sockets

**No. of Terminals:** RS11 – No. 6-32 screws, 7/16" center-to-center spacing

**Wire:** RS11 – up to No. 12 AWG (lugs are recommended on wire larger than No. 16AWG)

**Sockets:** 11-pin octal receptacle to accept 3PDT chamber allows relays. Refer to RS8 socket for features.

