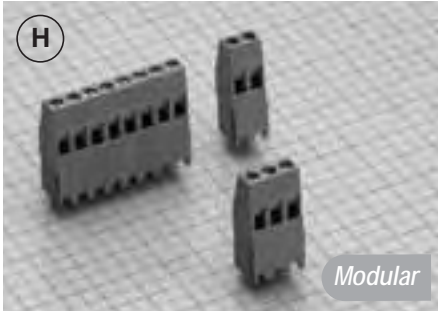


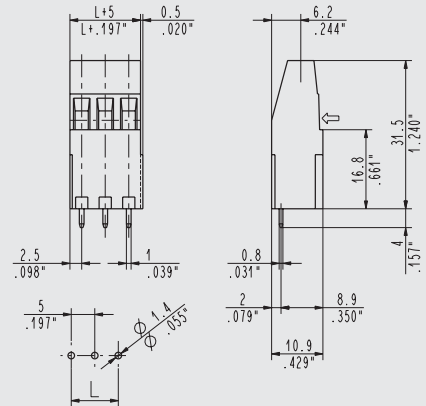
9216



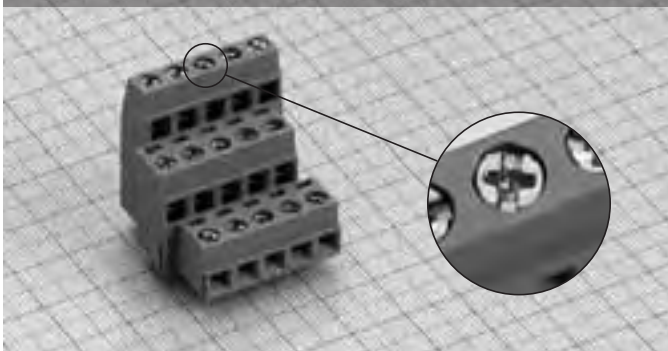
High Level
MEDIUM TOWER

Wire Size	30-11AWG (4/2.5 mm ²)	
Operating Temp	230° F (110° C)	
Housing Height	31.5 mm	
Max Current	32A	
Holes Center to Center	5-5.08 mm	10-10.16 mm
Max Voltage	300V	750V
Positions	2 to 3	2 to 3

9216 High Level,
Medium Tower



Cross and Slotted Screw



Screw Clamp:
Open / Closed



Open

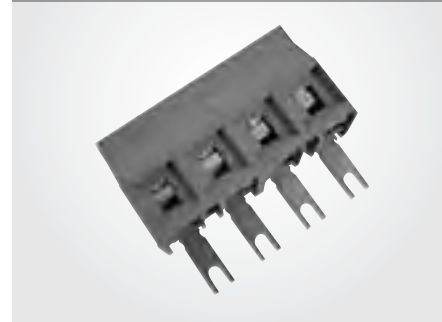


Closed

Auxiliary Terminal
Blocks



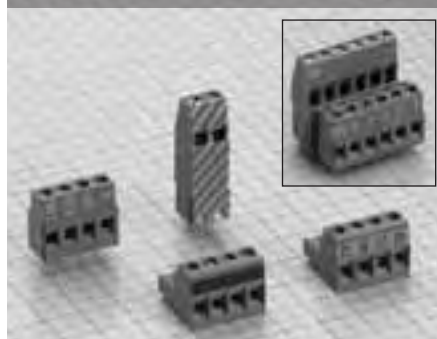
Custom
Configuration



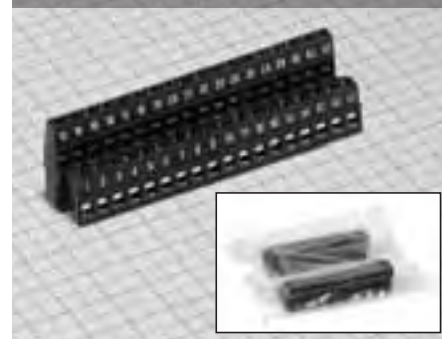
Tube Kit



Marking



Custom Kit



Options

MULTI-LEVEL 92 SERIES

