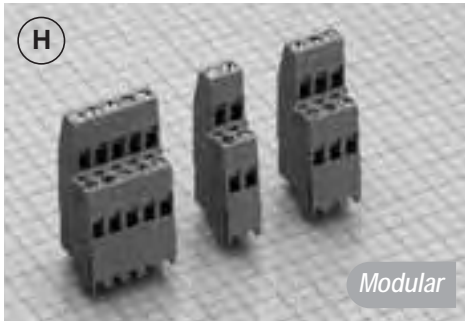


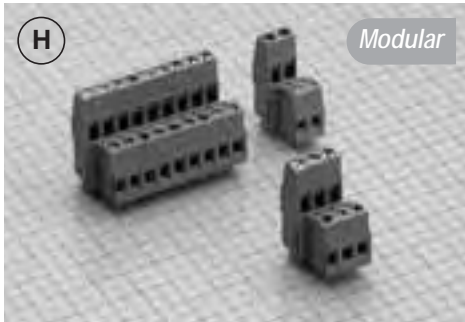
9226



High Multi-Level  
2nd/3rd LEVELS

Wire Size	30-11AWG (4/2.5 mm <sup>2</sup> )	
Operating Temp	230° F (110° C)	
Housing Height	31.5/45 mm	
Max Current	32A	
Holes Center to Center	5-5.08 mm	10-10.16 mm
Max Voltage	300V	750V
Positions	2 to 3	2 to 3

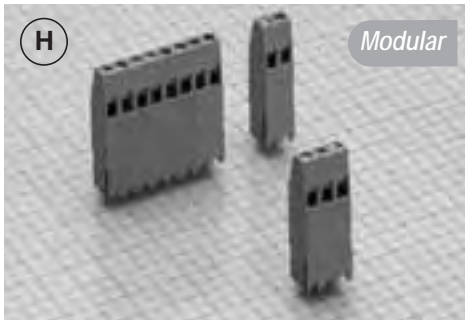
9206



High Multi-Level  
1st/2nd LEVELS

Wire Size	30-11AWG (4/2.5 mm <sup>2</sup> )	
Operating Temp	230° F (110° C)	
Housing Height	18.6/31.5 mm	
Max Current	32A	
Holes Center to Center	5-5.08 mm	10-10.16 mm
Max Voltage	300V	750V
Positions	2 to 3	2 to 3

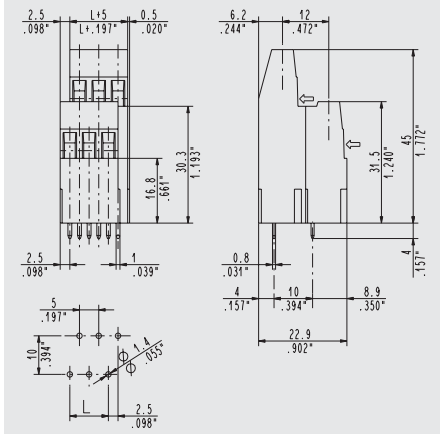
9236



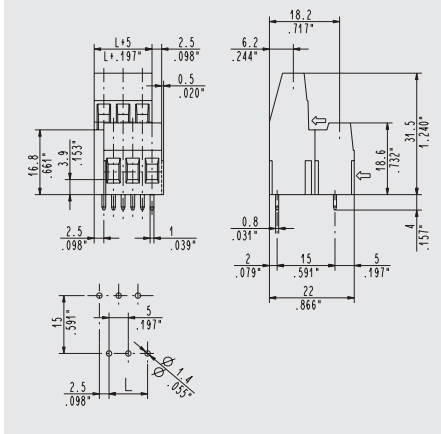
High Level  
HIGH TOWER

Wire Size	30-11AWG (4/2.5 mm <sup>2</sup> )	
Operating Temp	230° F (110° C)	
Housing Height	45 mm	
Max Current	32A	
Holes Center to Center	5-5.08 mm	10-10.16 mm
Max Voltage	300V	750V
Positions	2 to 3	2 to 3

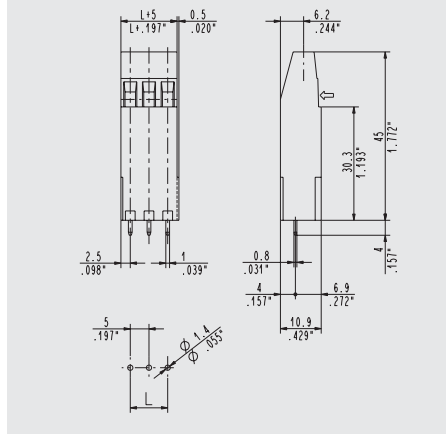
9226 High Multi-Level,  
2nd/3rd Levels



9206 High Multi-Level,  
1st/2nd Levels



9236 High Level,  
High Tower



Dimensions are in inches and millimeters unless otherwise specified. Values in parentheses are metric equivalents.



**Curtis Industries**  
A Division of Powers Holdings, Inc.

1-800-657-0853