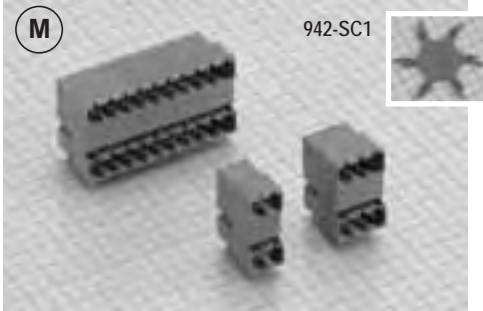


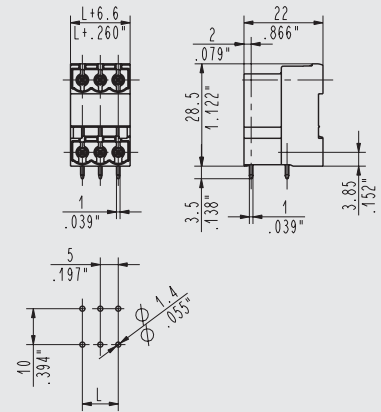
9424



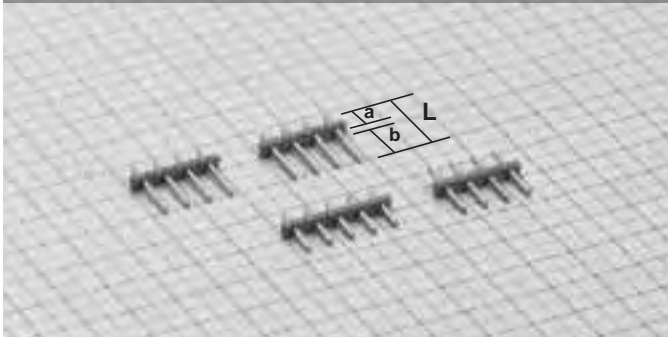
Multi-Level Male Connector 90°, POLARIZED

Operating Temp	230° F (110° C)	
Housing Height	28.5 mm	
Max Current	15A	
Holes Center to Center	5-5.08 mm	10-10.16 mm
Max Voltage	300V	750V
Positions	2 to 25	2 to 13

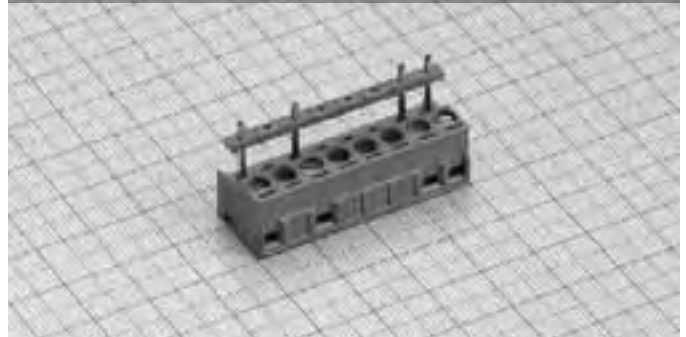
9424 Male Connector, 90°, Polarized



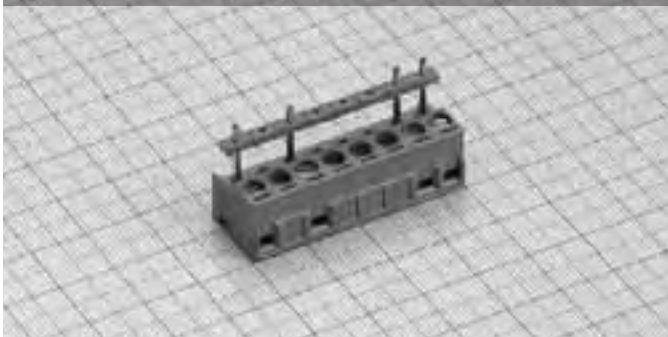
Pin Length as Requested



Custom Configuration



Ground Pin



Pin Length as Requested

