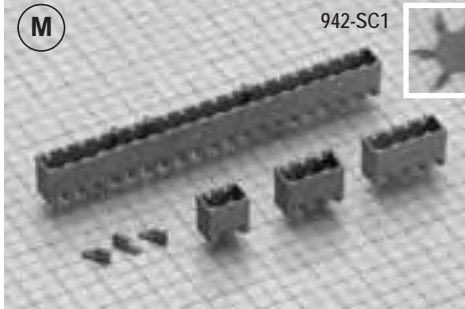


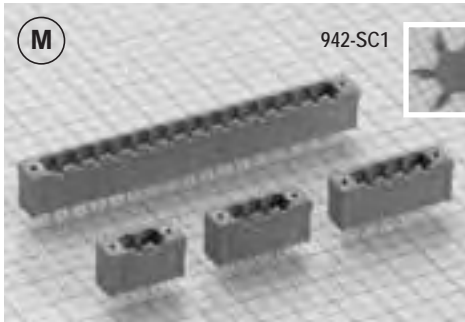
9422



Male Connector
STRAIGHT, POLARIZED

Operating Temp	230° F (110° C)		
Housing Height	12 mm		
Max Current	15A		
Holes Center to Center	5-5.08 mm	7-7.62 mm	10-10.16 mm
Max Voltage	300V	750V	750V
Positions	2 to 25	2 to 12	2 to 13

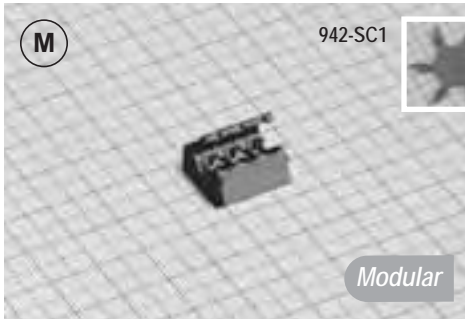
9442



Male Connector
STRAIGHT WITH LOCKING SCREW FLANGES

Operating Temp	230° F (110° C)		
Housing Height	12 mm		
Max Current	15A		
Holes Center to Center	5-5.08 mm	10-10.16 mm	
Max Voltage	300V	750V	
Positions	2 to 8 2 to 23	2 to 4 2 to 12	

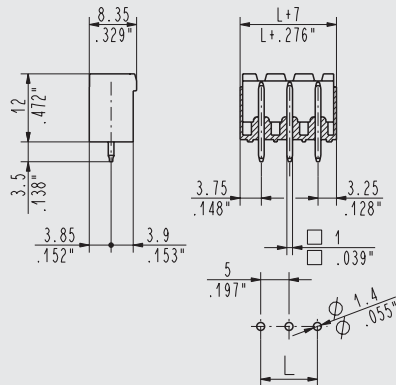
9412



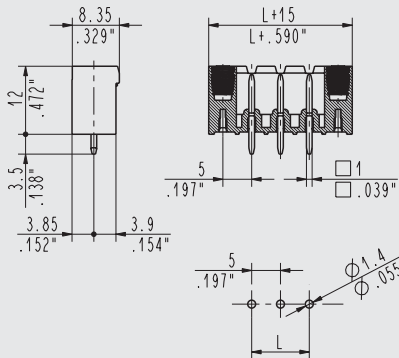
Male Connector
45°, MODULAR

Operating Temp	230° F (110° C)		
Housing Height	14.8 mm		
Max Current	15A		
Holes Center to Center	5-5.08 mm		
Max Voltage	300V		
Positions	2 to 4		

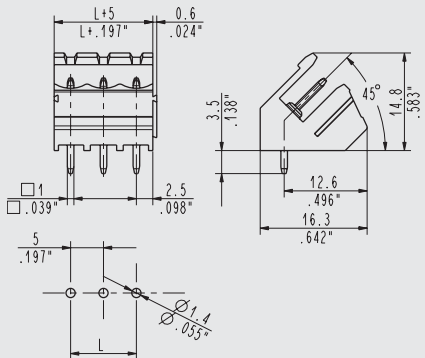
9422 Male Connector, Straight, Polarized



9442 Male Connector, Straight with Locking Screw Flanges



9412 Male Connector, 45°, Modular



Dimensions are in inches and millimeters unless otherwise specified. Values in parentheses are metric equivalents.



Curtis Industries
A Division of Powers Holdings, Inc.

1-800-657-0853

31

MALE CONNECTORS 94 SERIES