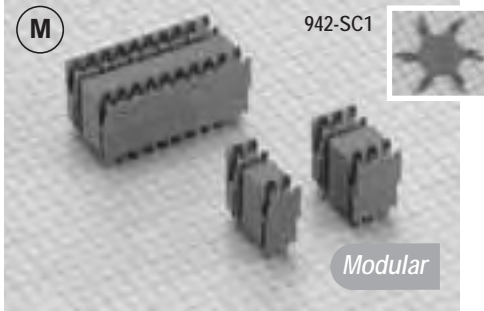


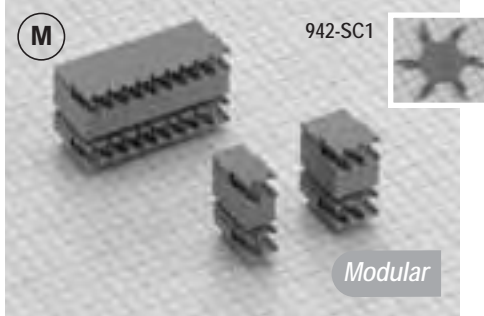
9414



Multi-Level Male Connector
STRAIGHT, MODULAR

Operating Temp	230° F (110° C)	
Housing Height	22 mm	
Max Current	15A	
Holes Center to Center	5-5.08 mm	10-10.16 mm
Max Voltage	300V	750V
Positions	2 to 3	2 to 13

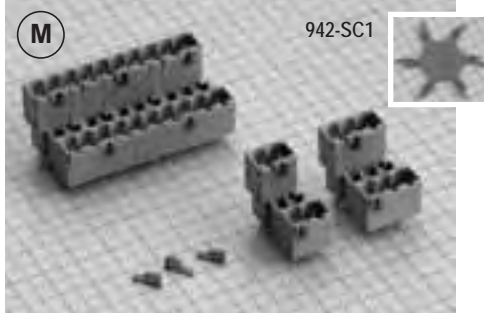
9414



Multi-Level Male Connector
90°, MODULAR

Operating Temp	230° F (110° C)	
Housing Height	28.5 mm	
Max Current	15A	
Holes Center to Center	5-5.08 mm	10-10.16 mm
Max Voltage	300V	750V
Positions	2 to 3	2 to 13

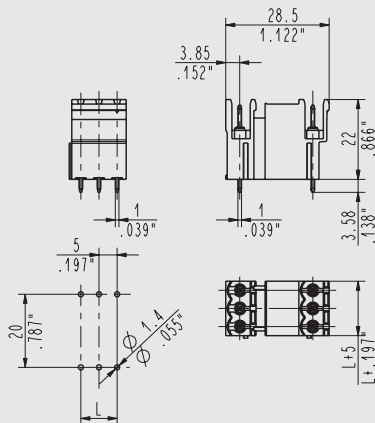
9424



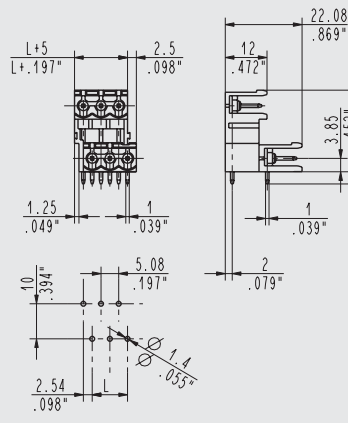
Multi-Level Male Connector
STRAIGHT, POLARIZED

Operating Temp	230° F (110° C)	
Housing Height	22 mm	
Max Current	15A	
Holes Center to Center	5-5.08 mm	10-10.16 mm
Max Voltage	300V	750V
Positions	2 to 25	2 to 13

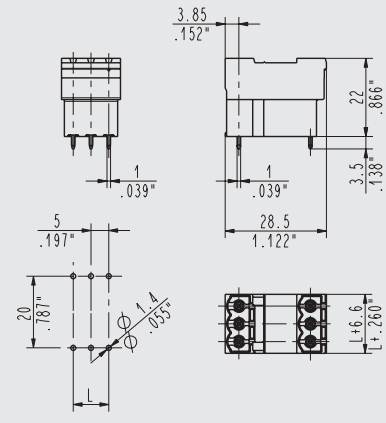
9414 Male Connector,
Straight, Modular



9414 Male Connector,
90°, Modular



9424 Male Connector,
Straight, Polarized



Dimensions are in inches and millimeters unless otherwise specified. Values in parentheses are metric equivalents.



Curtis Industries
A Division of Powers Holdings, Inc.

1-800-657-0853

37

MALE CONNECTORS 94 SERIES