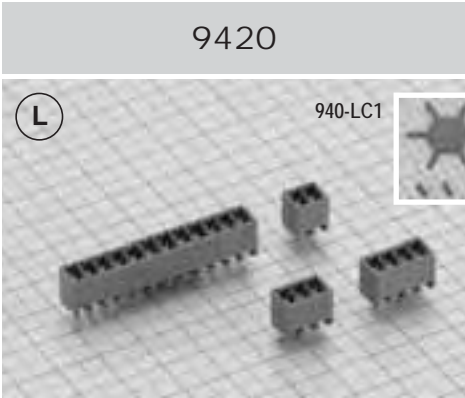


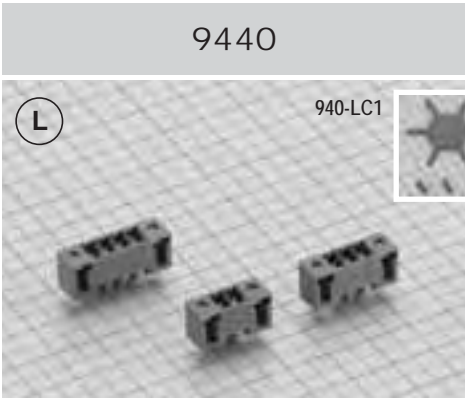
**Male Connector  
STRAIGHT, MODULAR**

Operating Temp	<b>230° F (110° C)</b>		
Housing Height	<b>9.2 mm</b>		
Max Current	<b>13.5A</b>		
Holes Center to Center	<b>3.5-3.81 mm</b>	<b>5-5.08 mm</b>	<b>7-7.62 mm</b>
Max Voltage	<b>300V</b>	<b>300V</b>	<b>750V</b>
Positions	<b>2 to 25</b>	<b>2 to 3</b>	<b>2 to 13</b>



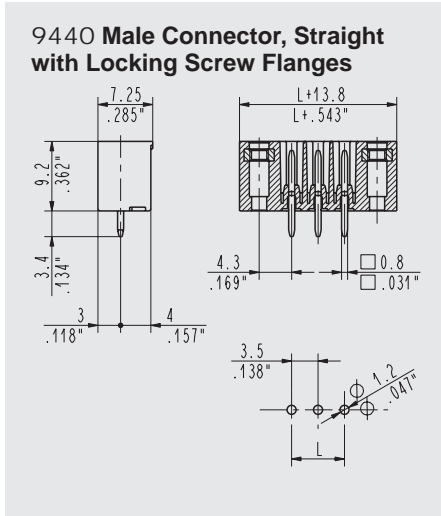
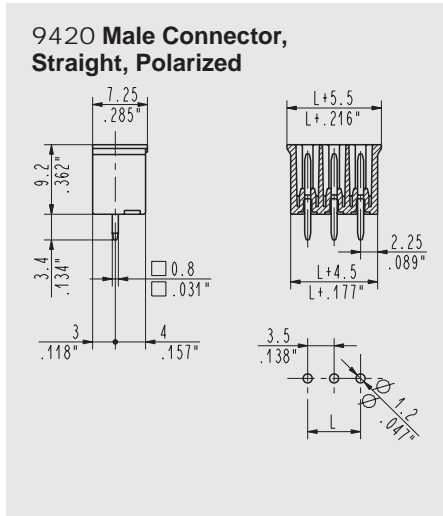
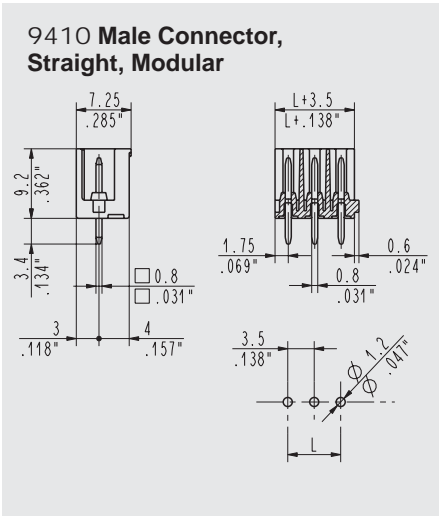
**Male Connector  
STRAIGHT, POLARIZED**

Operating Temp	<b>230° F (110° C)</b>	
Housing Height	<b>9.2 mm</b>	
Max Current	<b>13.5A</b>	
Holes Center to Center	<b>3.5-3.81 mm</b>	<b>7-7.62 mm</b>
Max Voltage	<b>300V</b>	<b>750V</b>
Positions	<b>2 to 25</b>	<b>2 to 13</b>

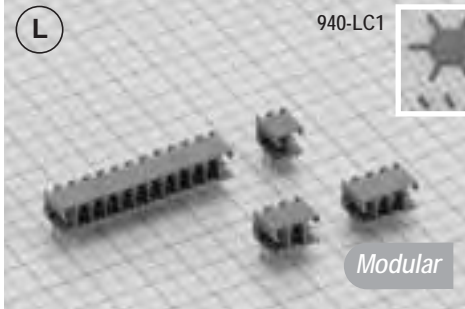


**Male Connector  
STRAIGHT WITH LOCKING SCREW FLANGES**

Operating Temp	<b>230° F (110° C)</b>	
Housing Height	<b>9.2 mm</b>	
Max Current	<b>13.5A</b>	
Holes Center to Center	<b>3.5-3.81 mm</b>	<b>7-7.62 mm</b>
Max Voltage	<b>300V</b>	<b>750V</b>
Positions	<b>2 to 23</b>	<b>2 to 12</b>



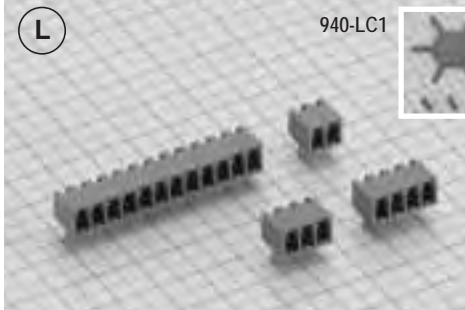
9410



**Male Connector  
90°, MODULAR**

Operating Temp	230° F (110° C)		
Housing Height	7.25 mm		
Max Current	13.5A		
Holes Center to Center	3.5-3.81 mm	5-5.08 mm	7-7.62 mm
Max Voltage	300V	300V	750V
Positions	2 to 25	2 to 3	2 to 13

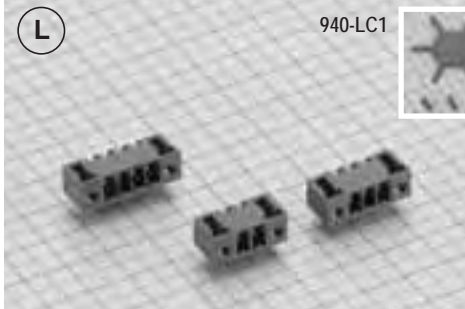
9420



**Male Connector  
90°, POLARIZED**

Operating Temp	230° F (110° C)	
Housing Height	7.25 mm	
Max Current	13.5A	
Holes Center to Center	3.5-3.81 mm	7-7.62 mm
Max Voltage	300V	750V
Positions	2 to 25	2 to 13

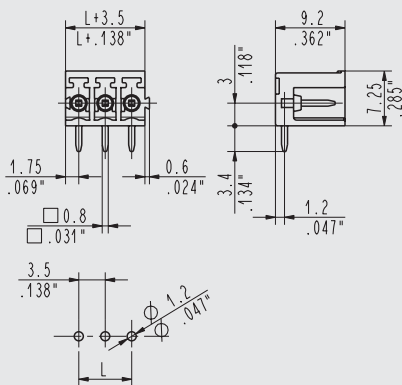
9440



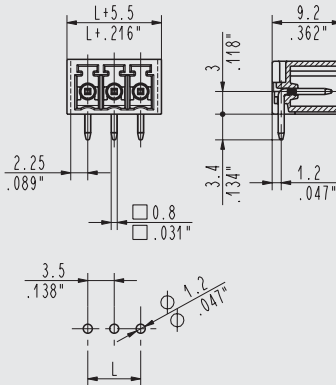
**Male Connector  
90° WITH LOCKING SCREW FLANGES**

Operating Temp	230° F (110° C)	
Housing Height	7.25 mm	
Max Current	13.5A	
Holes Center to Center	3.5-3.81 mm	7-7.62 mm
Max Voltage	300V	750V
Positions	2 to 23	2 to 12

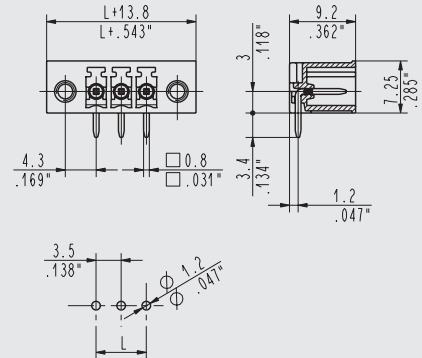
**9410 Male Connector,  
90°, Modular**



**9420 Male Connector,  
90°, Polarized**



**9440 Male Connector,  
90° with Locking Screw Flanges**



MALE CONNECTORS 94 SERIES

Dimensions are in inches and millimeters unless otherwise specified. Values in parentheses are metric equivalents.



**Curtis Industries**  
A Division of Powers Holdings, Inc.

1-800-657-0853

29