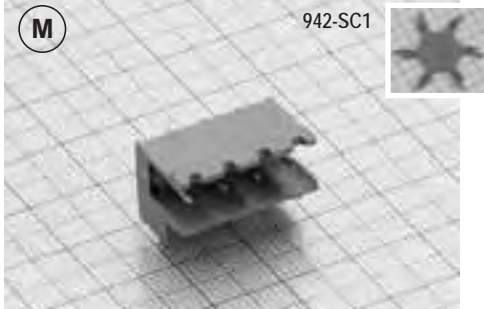


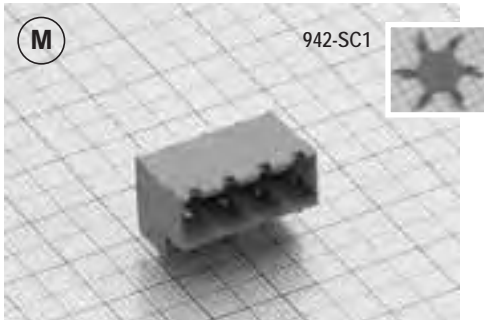
9402



Male Connector
90°, SIDE STACKABLE WITH STAND-OFF

Operating Temp	230° F (110° C)	
Housing Height	12.15 mm	
Max Current	15A	
Holes Center to Center	5 mm	10 mm
Max Voltage	300V	750V
Positions	2 to 8	2 to 4

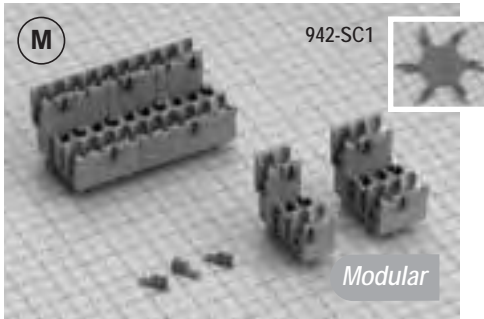
9422



Male Connector
90°, POLARIZED WITH STAND-OFF

Operating Temp	230° F (110° C)	
Housing Height	12.15 mm	
Max Current	15A	
Holes Center to Center	5 mm	10 mm
Max Voltage	300V	750V
Positions	2 to 8	2 to 4

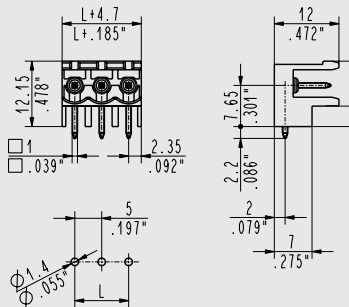
9413



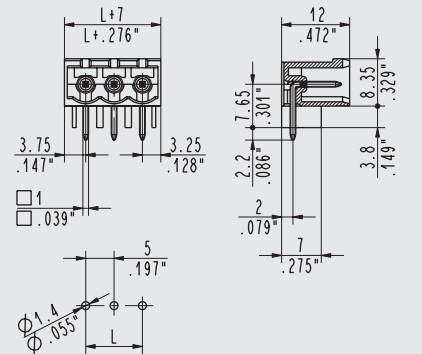
Multi-Level Male Connector
STRAIGHT, MODULAR

Operating Temp	230° F (110° C)	
Housing Height	22.08 mm	
Max Current	15A	
Holes Center to Center	5-5.08 mm	10-10.16 mm
Max Voltage	300V	750V
Positions	2 to 3	2 to 13

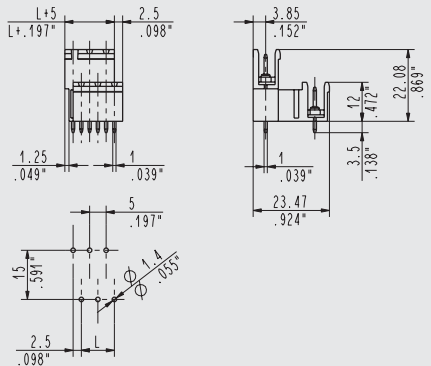
9402 Male Connector, 90°, Side Stackable with Stand-Off



9422 Male Connector, 90°, Polarized with Stand-Off



9413 Male Connector, Straight, Modular



Dimensions are in inches and millimeters unless otherwise specified. Values in parentheses are metric equivalents.



Curtis Industries
A Division of Powers Holdings, Inc.

1-800-657-0853

35

MALE CONNECTORS 94 SERIES