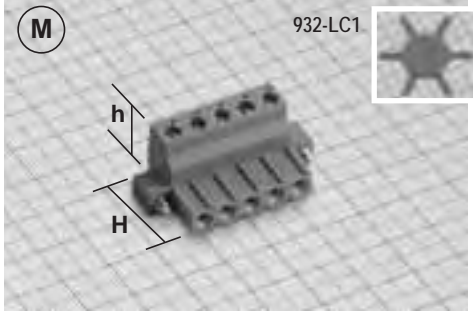


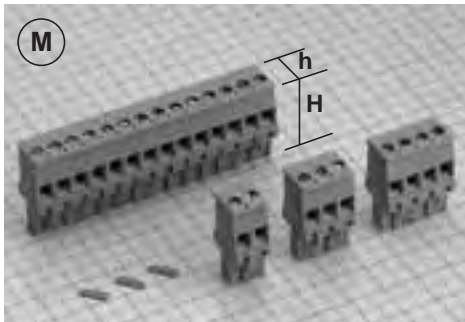
9362



**Female Connector
WITH LOCKING SCREW FLANGES**

Wire Size	30-12AWG (2.5/1.5 mm²)
Operating Temp	230° F (110° C)
Housing Height	18.4 mm / h = 15.5 mm
Max Current	15A
Holes Center to Center	5-5.08 mm
Max Voltage	300V
Positions	2 to 8 2 to 23

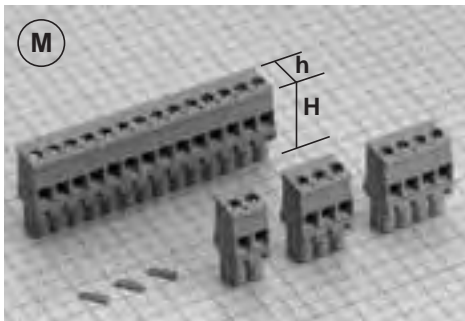
9333



**Female Connector
VERTICAL RIGHT, SIDE STACKABLE**

Wire Size	30-12AWG (2.5/1.5 mm²)		
Operating Temp	230° F (110° C)		
Housing Height	25 mm / h = 12.5 mm		
Max Current	15A		
Holes Center to Center	5-5.08 mm	7.5-7.62 mm	10-10.16 mm
Max Voltage	300V	750V	750V
Positions	2 to 25	2 to 12	2 to 13

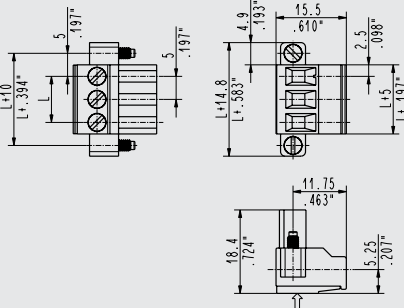
9343



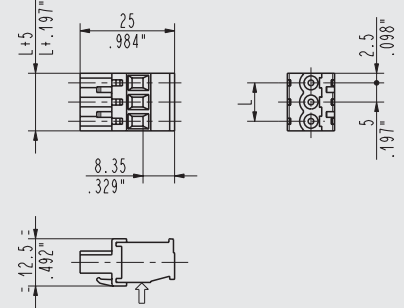
**Female Connector
VERTICAL LEFT, SIDE STACKABLE**

Wire Size	30-12AWG (2.5/1.5 mm²)		
Operating Temp	230° F (110° C)		
Housing Height	25 mm / h = 12.5 mm		
Max Current	15A		
Holes Center to Center	5-5.08 mm	7.5-7.62 mm	10-10.16 mm
Max Voltage	300V	750V	750V
Positions	2 to 25	2 to 12	2 to 13

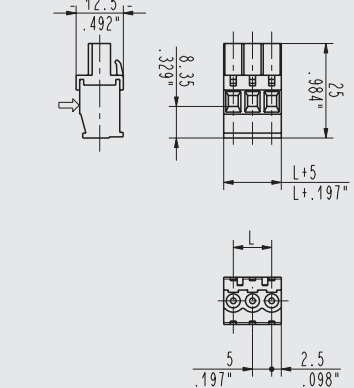
**9362 Female Connector,
with Locking Screw Flanges**



**9333 Female Connector,
Vertical Right, Side Stackable**



**9343 Female Connector,
Vertical Left, Side Stackable**



Dimensions are in inches and millimeters unless otherwise specified. Values in parentheses are metric equivalents.



Curtis Industries
A Division of Powers Holdings, Inc.

1-800-657-0853