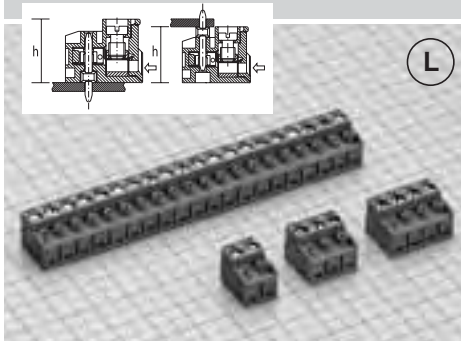


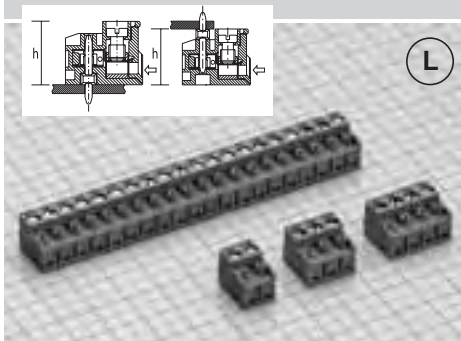
9311 Industrial Use



Female Connector 90°-270°, MODULAR

Wire Size	30-14AWG (2.5/1.5 mm²)	
Operating Temp	230° F (110° C)	
Housing Height	11.5 mm	
Max Current	13.5A	
Holes Center to Center	5 mm	10 mm
Max Voltage	300V	750V
Positions	2 to 25	2 to 13

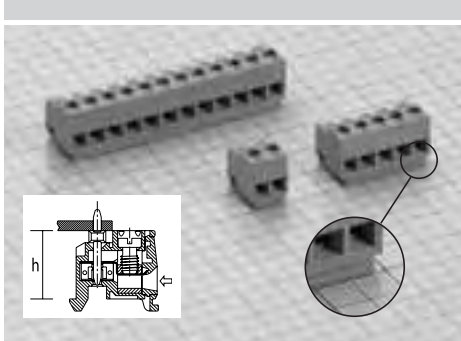
9311 Industrial Use



Female Connector 90°-270°, SIDE STACKABLE

Wire Size	30-14AWG (2.5/1.5 mm²)	
Operating Temp	230° F (110° C)	
Housing Height	11.5 mm	
Max Current	13.5A	
Holes Center to Center	5 mm	10 mm
Max Voltage	300V	750V
Positions	2 to 25	2 to 13

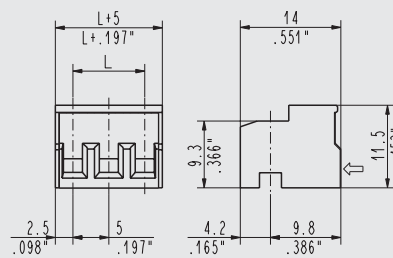
9371 Industrial Use



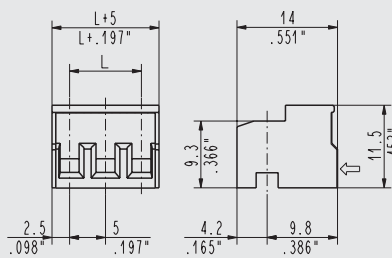
Female Connector 90°, SIDE STACKABLE WITH SNAPPERS

Wire Size	30-14AWG (2.5/1.5 mm²)	
Operating Temp	230° F (110° C)	
Housing Height	11.3 mm	
Max Current	13.5A	
Holes Center to Center	5 mm	10 mm
Max Voltage	300V	750V
Positions	2 to 25	2 to 13

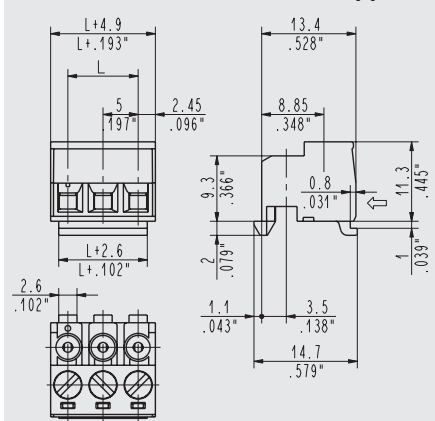
9311 Female Connector, 90°-270°, Modular



9311 Female Connector, 90°-270°, Side Stackable



9371 Female Connector, 90°, Side Stackable with Snappers



Dimensions are in inches and millimeters unless otherwise specified. Values in parentheses are metric equivalents.



Curtis Industries
A Division of Powers Holdings, Inc.

1-800-657-0853

21

FEMALE CONNECTORS 93 SERIES