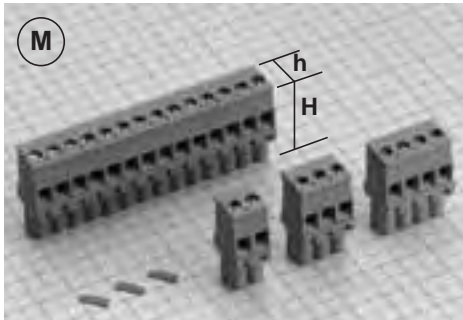


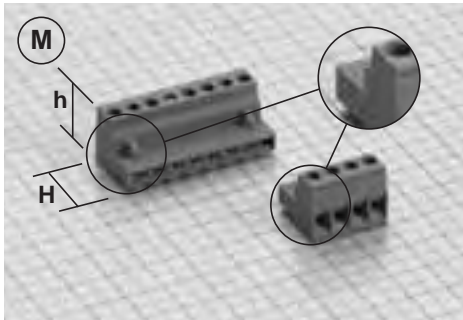
9303



Female Connector
VERTICAL LEFT, MODULAR

Wire Size	30-12AWG (2.5/1.5 mm²)	
Operating Temp	230° F (110° C)	
Housing Height	25 mm / h = 12.5 mm	
Max Current	15A	
Holes Center to Center	5-5.08 mm	10-10.16 mm
Max Voltage	300V	750V
Positions	2 to 12	2 to 6

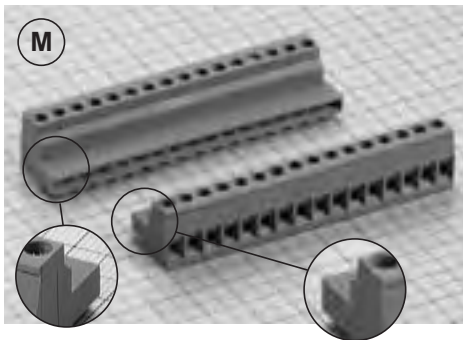
9354



Board Edge Female Connector
SIDE STACKABLE

Wire Size	30-12AWG (2.5/1.5 mm²)	
Operating Temp	230° F (110° C)	
Housing Height	18.4 mm / h = 15.5 mm	
Max Current	10A	
Holes Center to Center	5 mm	
Max Voltage	250V	
Positions	2 to 16	

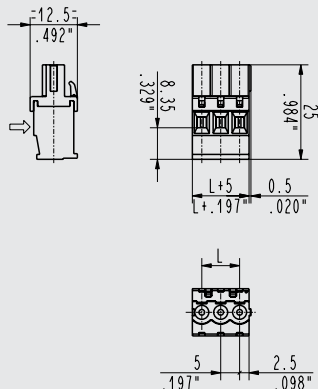
9324



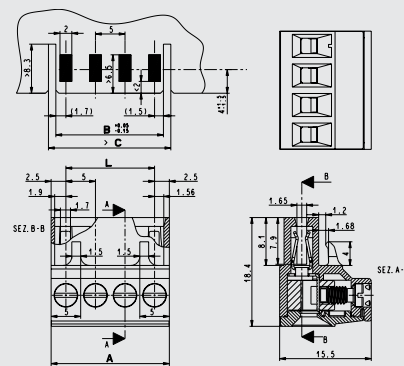
Board Edge Female Connector
POLARIZED

Wire Size	30-12AWG (2.5/1.5 mm²)	
Operating Temp	230° F (110° C)	
Housing Height	18.4 mm / h = 15.5 mm	
Max Current	10A	
Holes Center to Center	5 mm	
Max Voltage	250V	
Positions	2 to 16	

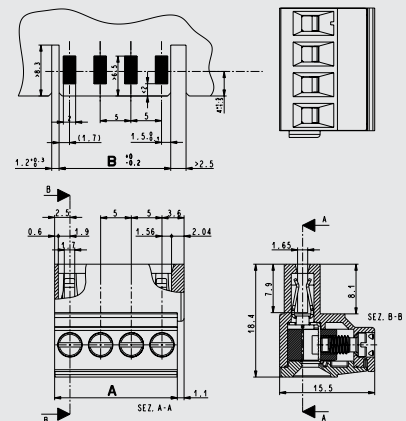
9303 Female Connector,
Vertical Left, Modular



9354 Board Edge Female
Connector, Side Stackable



9324 Board Edge Female
Connector, Polarized



Dimensions are in inches and millimeters unless otherwise specified. Values in parentheses are metric equivalents.



Curtis Industries
A Division of Powers Holdings, Inc.

1-800-657-0853

25

FEMALE CONNECTORS 93 SERIES