

How to Order

Single and Multilevel Terminal Blocks

9000 - 0000 - 0000

TYPE OF BLOCK]

- 91 = Terminal Block
- 92 = Multi-Level Block

MOUNTING TYPE]

For Terminal Blocks Single Level

- 0 = Straight
- 1 = 35 deg for Series 5 & 7
- 2 = 55 deg
- 3 = 90 deg
- 4 = 270 deg
- 5 = Straight, Modular for Series 1

For Terminal Blocks Multi-Level

- 0 = 1st & 2nd Level
- 1 = Medium Tower
- 2 = 2nd & 3rd Level
- 3 = High Tower
- 4 = 3 Levels
- 5 = 4 Levels

SERIES]

- 1 = Mini (16 AWG) TB only
- 2 = Low (14 AWG) TB only
- 3 = Low (15 AWG)
- 4 = Small (13 AWG) TB only
- 5 = Medium (12 AWG)
- 6 = High (11 AWG)
- 7 = Large (10 AWG) TB only
- 8 = Spring Clamp TB only
- 9 = Medium (12 AWG) Zero Gap

NUMBER OF POSITIONS]

01 through 25

[OPTIONS

- 0 = None
- 1 = VDE Pegs TB only
- 2 = Aligned Screw & Pin TB only
- 3 = Short Circuited Terminal Block TB only

[HIGH TEMPERATURE

- 0 = Standard
- 1 = SMD products
- 2 = High Temp

[COLOR

- 0 = Standard Green
- 1 = Green (similar to RAL 6032)
- 2 = Black (similar to RAL 9005)
- 3 = Light Gray (similar to RAL 7035)
- 4 = Dark Gray (similar to RAL 7040)
- 5 = Orange (similar to RAL 2003)
- 6 = Blue (similar to RAL 5012)
- 7 = Red (similar to RAL 3017)
- 8 = Brown (similar to RAL 8028)
- 9 = White (similar to RAL 9001)

[MARKING

- 0 = None
- 1 = Straight
- 2 = Reverse
- 3 = Custom

[CENTER TO CENTER DISTANCE

- 01 = 2.54 mm (0.100 in) TB only
- 02 = 3.50 mm (0.138 in) TB only
- 03 = 3.81 mm (0.150 in) TB only
- 04 = 5.00 mm (0.197 in)
- 05 = 5.08 mm (0.200 in)
- 06 = 6.35 mm (0.250 in) TB only
- 07 = 7.00 mm (0.275 in) TB only
- 08 = 7.50 mm (0.295 in) TB only
- 09 = 7.62 mm (0.300 in) TB only
- 10 = 9.52 mm (0.375 in) TB only
- 11 = 10.00 mm (0.394 in)
- 12 = 10.16 mm (0.400 in)
- 13 = Custom Configuration



How to Order

Female Connectors

9000 - 0000 - 0000

TYPE OF BLOCK

93 = Female Connector

MOUNTING TYPE

For Terminal Blocks Single Level

- 0 = Straight
- 1 = 90 deg
- 2 = Polarized
- 3 = Side Stackable Right
- 4 = Side Stackable Left
- 5 = Side Stackable
- 6 = Locking Screw Flanges
- 7 = 930 Safe with Snappers
- 8 = Safe 90 deg
- 9 = Safe with Locking Screw Flanges

SERIES

- 0 = Low (14 AWG)
- 1 = Low-Ind. Use (14 AWG)
- 2 = Modular (12 AWG & 14 AWG)
- 3 = Side Stackable (12 AWG)
- 4 = Board Edge (12 AWG)
- 5 = Spring (12 AWG)

NUMBER OF POSITIONS

01 through 25

OPTIONS

- 0 = None
- 1 = Modular
- 2 = Locking Screw Flanges Right
- 3 = Locking Screw Flanges Left

HIGH TEMPERATURE

- 0 = Standard
- 1 = SMD products
- 2 = High Temp

COLOR

- 0 = Standard Green
- 1 = Green (similar to RAL 6032)
- 2 = Black (similar to RAL 9005)
- 3 = Light Gray (similar to RAL 7035)
- 4 = Dark Gray (similar to RAL 7040)
- 5 = Orange (similar to RAL 2003)
- 6 = Blue (similar to RAL 5012)
- 7 = Red (similar to RAL 3017)
- 8 = Brown (similar to RAL 8028)
- 9 = White (similar to RAL 9001)

MARKING

- 0 = None
- 1 = Straight
- 2 = Reverse
- 3 = Custom

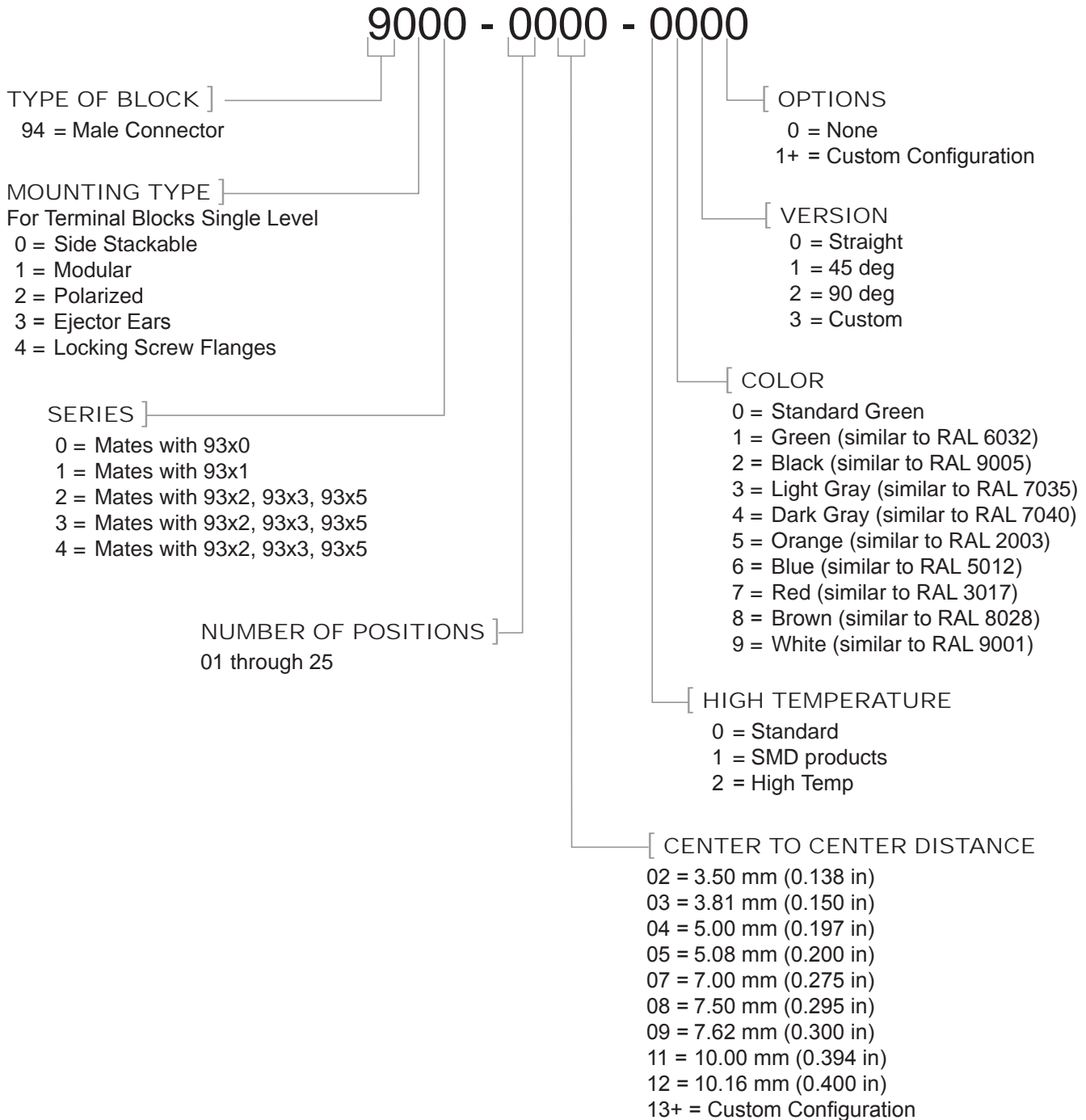
CENTER TO CENTER DISTANCE

- 02 = 3.50 mm (0.138 in)
- 03 = 3.81 mm (0.150 in)
- 04 = 5.00 mm (0.197 in)
- 05 = 5.08 mm (0.200 in)
- 07 = 7.00 mm (0.275 in)
- 08 = 7.50 mm (0.295 in)
- 09 = 7.62 mm (0.300 in)
- 11 = 10.00 mm (0.394 in)
- 12 = 10.16 mm (0.400 in)
- 13+ = Custom Configuration



How to Order

Male Connectors



How to Order

PCB Modular Supports

SMC072T011 - 0000

SERIES]
SMC072
SMC107

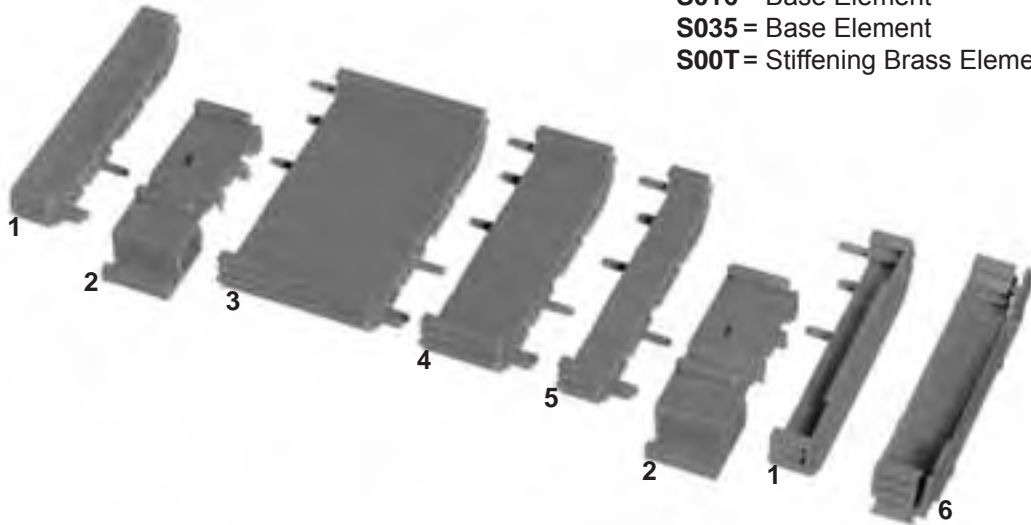
[CUSTOM CODE

SMC072 T011 = Lateral Element
 T012 = Lateral Element
 T013 = Complete Module
 S011 = Base Element
 S022 = Base Element
 S045 = Base Element
 P020 = Hook Element for DIN Rail

SMC107 T000 = Lateral Element
 P035 = Base Element with Hook
 S016 = Base Element
 S035 = Base Element
 S00T = Stiffening Brass Element

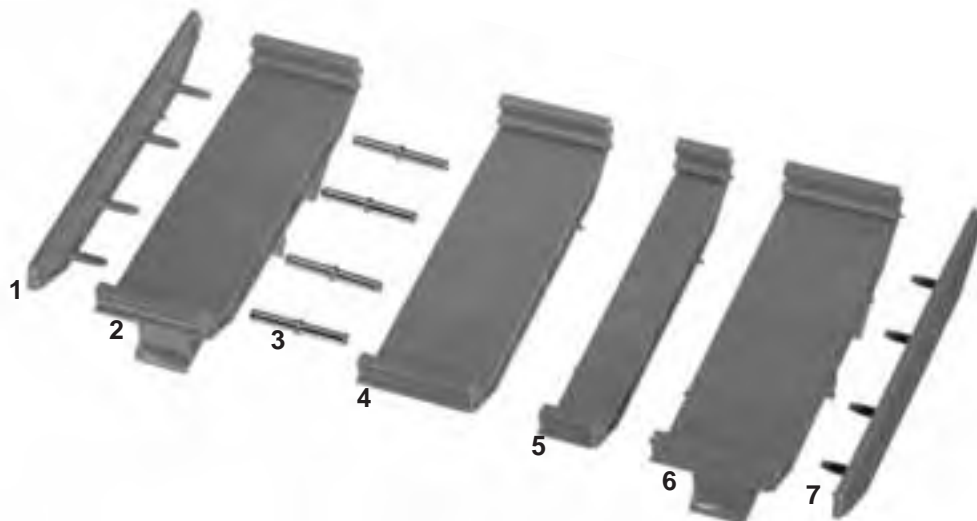
SMC 072

- 1) **SMC072T011**
- 2) **SMC072P020**
- 3) **SMC072S045**
- 4) **SMC072S022**
- 5) **SMC072S011**
- 6) **SMC072T013**



SMC 107

- 1) **SMC107T000**
- 2) **SMC107P035**
- 3) **SMC107S00T**
- 4) **SMC107S035**
- 5) **SMC107S016**
- 6) **SMC107P035**
- 7) **SMC107T000**



How to Order

PCB Extruded Supports

STC072L250 - 0000

SERIES]

STC000
STC072
STC107

[CUSTOM CODE

STC072	<p>S016 = STD Size Cut Profile L .650 in / 16.50 mm</p> <p>S028 = STD Size Cut Profile L 1.093 in / 27.75 mm</p> <p>S039 = STD Size Cut Profile L 1.535 in / 39.00 mm</p> <p>S050 = STD Size Cut Profile L 1.978 in / 50.25 mm</p> <p>S061 = STD Size Cut Profile L 2.421 in / 61.50 mm</p> <p>S073 = STD Size Cut Profile L 2.864 in / 72.75 mm</p> <p>S084 = STD Size Cut Profile L 3.307 in / 84.00 mm</p> <p>S095 = STD Size Cut Profile L 3.750 in / 95.25 mm</p>	<p>S106 = STD Size Cut Profile L 4.193 in / 106.50 mm</p> <p>S118 = STD Size Cut Profile L 4.636 in / 117.75 mm</p> <p>S129 = STD Size Cut Profile L 5.079 in / 129.00 mm</p> <p>S140 = STD Size Cut Profile L 5.522 in / 140.25 mm</p> <p>S151 = STD Size Cut Profile L 5.965 in / 151.50 mm</p> <p>S163 = STD Size Cut Profile L 6.407 in / 162.75 mm</p> <p>S174 = STD Size Cut Profile L 6.850 in / 174.00 mm</p> <p>A026 = STD Size Adapter for 2.677 in / 68 mm PCB</p>
---------------	--	---

STC107	<p>S035 = STD Size Cut Profile L 1.378 in / 35.00 mm</p> <p>S051 = STD Size Cut Profile L 2.028 in / 51.50 mm</p> <p>S070 = STD Size Cut Profile L 2.756 in / 70.00 mm</p> <p>S086 = STD Size Cut Profile L 3.406 in / 86.50 mm</p> <p>S105 = STD Size Cut Profile L 4.134 in / 105.50 mm</p> <p>S121 = STD Size Cut Profile L 4.783 in / 121.50 mm</p> <p>S140 = STD Size Cut Profile L 5.512 in / 140.00 mm</p> <p>S156 = STD Size Cut Profile L 6.161 in / 156.50 mm</p> <p>S175 = STD Size Cut Profile L 6.890 in / 175.00 mm</p> <p>S191 = STD Size Cut Profile L 7.538 in / 191.50 mm</p> <p>S210 = STD Size Cut Profile L 8.268 in / 210.00 mm</p> <p>S226 = STD Size Cut Profile L 8.898 in / 226.50 mm</p> <p>S245 = STD Size Cut Profile L 9.646 in / 245.00 mm</p> <p>S261 = STD Size Cut Profile L 10.295 in / 261.50 mm</p> <p>S280 = STD Size Cut Profile L 11.024 in / 280.00 mm</p>	<p>A160 = STD Size Adapter for 3.937 in / 100 mm</p> <p>A__ = Custom Size Cut Adapter for 3.937 in / 100 mm PCB</p> <p>TS60 = Left High Lateral Element with Rail Hook</p> <p>TS73 = Left High Lateral Element with Rail Hook</p> <p>TD60 = Right High Lateral Element with Rail Hook</p> <p>TD73 = Right High Lateral Element with Rail Hook</p> <p>T660 = High Lateral Element Without Rail Hook</p> <p>T073 = High Lateral Element Without Rail Hook</p> <p>C__ = Custom Size Protection Cover 60 (in mm)</p> <p>D__ = Custom Size Protection Cover 73 (in mm)</p>
---------------	---	---

STC 072 STC 107	<p>TSX0 = Left Lateral Element with Rail Hook</p> <p>TDX0 = Right Lateral Element with Rail Hook</p> <p>T000 = Head Without Rail Hook</p> <p>P011 = DIN Rail Hook</p> <p>2000 = Profile for PCB L 78.74 in / 2 m</p> <p>L__ = Custom Size Cut Profile (in mm)</p>
----------------------------------	---

STC 000	<p>V015 = Screw for Head Fastening (L = 15 mm)</p> <p>V025 = Screw for Head Fastening (L = 25 mm)</p> <p>F000 = Bracket for Wall Mounting</p>
----------------	---



How to Order

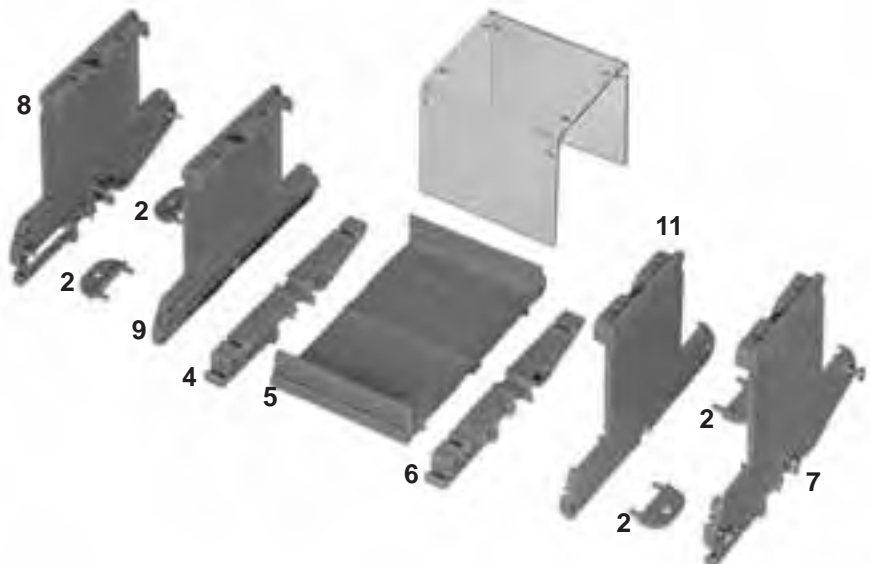
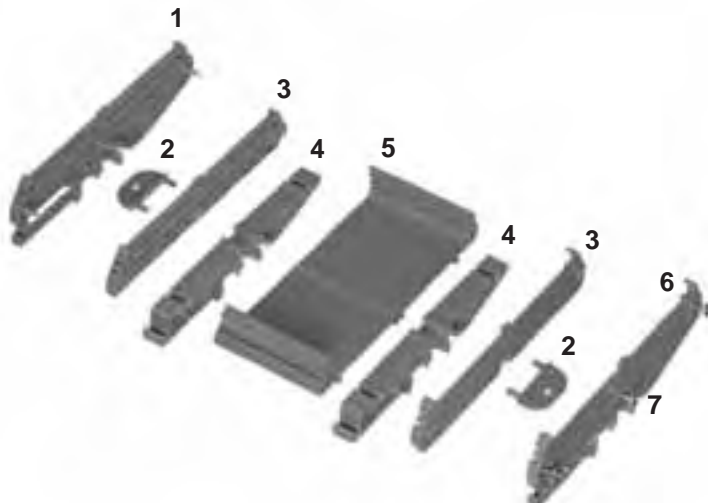
STC 072

- 1) STC072TSX0
- 2) STC000F000
- 3) STC072T000
- 4) STC072P011
- 5) STC072S____
STC0722000
STC072L____
- 6) STC072TDX0
- 7) STC000V015
STC000V025



STC 107

- 1) STC107TSX0
- 2) STC000F000
- 3) STC107T000
- 4) STC107P011
- 5) STC107S____
STC1072000
STC107L____
- 6) STC107TDX0
- 7) STC000V015
- 8) STC107TS73
- 9) STC107T073
- 10) STC107C____
STC107D____
- 11) STC107T060
- 12) STC107TD60



How to Order

DIN Rail Boxes

SRC1750000 - V

SERIES]
SRC

KIT TYPE]

- 1750000** = Complete kit H = 17.5 mm
- 2250000** = Complete kit H = 22.5 mm
- 3500000** = Complete kit H = 35.0 mm
- 4500000** = Complete kit H = 45.0 mm

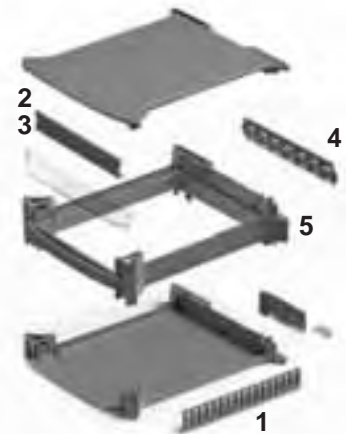
[CUSTOM CODE

- V** = Green (similar to RAL 6001)
- G** = Gray (similar to TAL 7035)
- N** = Black (similar to RAL 7016)
- T** = Transparent Red Color;
Only for **SRC000012P** and **SRC000017P**



ACCESSORIES

- 1 SRC000000C** = Breakable side spit cover
- 2 SRC000012P** = Frontal panel 12 mm
- 3 SRC000017P** = Frontal panel 17 mm
- 4 SRC000000A** = Internal Adapter
- 5 SRC000000D** = Spacer



Adhesive Labels

ESA00000000

SERIES]
ESA

PITCH]

- 4** = .100 in / 2.54 mm
- 8** = .138 in / 3.50 mm
- T** = .150 in / 3.81 mm
- 1** = .197 in / 5.00 mm
- 5** = .200 in / 5.08 mm
- S** = .250 in / 6.35 mm
- 9** = .275 in / 7.00 mm
- 3** = .295 in / 7.50 mm
- 7** = .300 in / 7.62 mm
- N** = .375 in / 9.52 mm
- 2** = .394 in / 10.00 mm
- 6** = .400 in / 10.16 mm
- 0** = Custom configuration

[-- = Last number in sequence (STANDARD)

-- = Last number or letter/s in sequence (CUSTOM DESIGN)

[-- = First number in sequence (STANDARD)

-- = First number or letter/s in sequence (CUSTOM DESIGN)

[MARKING

0 = Standard

- = Custom configuration*

[LABEL HEIGHT

30 = .110 in / 2.8 mm

40 = .150 in / 3.8 mm

50 = .197 in / 5 mm

