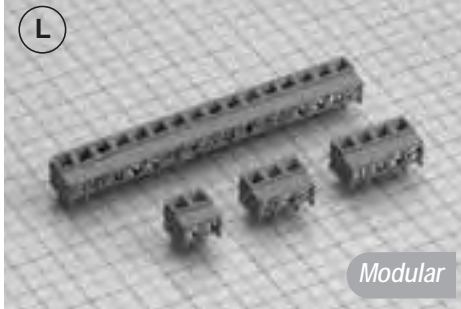


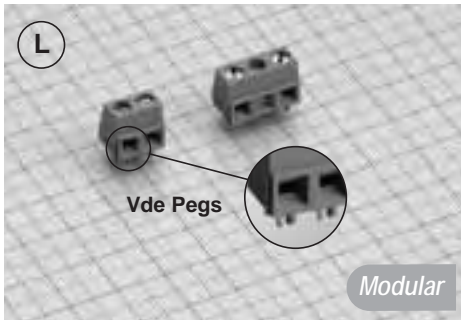
9133



Low Terminal Block
90°

Wire Size	30-15AWG (1.5/1 mm ²)	
Operating Temp	230° F (110° C)	
Housing Height	8.2 mm	
Max Current	17.5A	
Holes Center to Center	5-5.08 mm	10-10.16 mm
Max Voltage	300V	750V
Positions	2 to 25	1 to 13

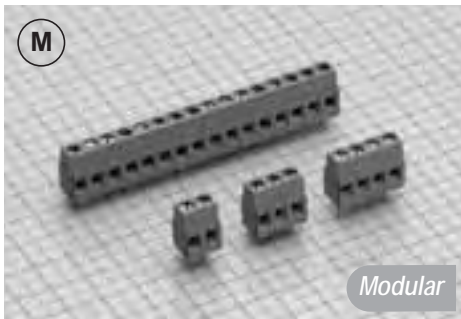
9103



Low Terminal Block
STRAIGHT WITH VDE PEGS

Wire Size	30-15AWG (1.5/1 mm ²)	
Operating Temp	230° F (110° C)	
Housing Height	10 mm	
Max Current	17.5A	
Holes Center to Center	5-5.08 mm	10-10.16 mm
Max Voltage	300V	750V
Positions	2	2

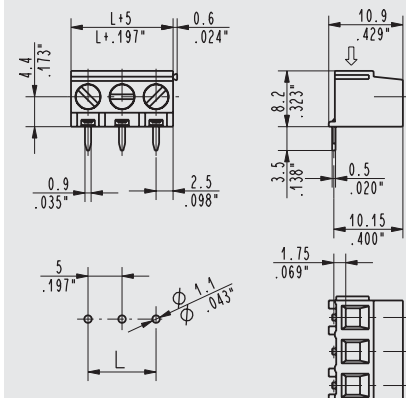
9104



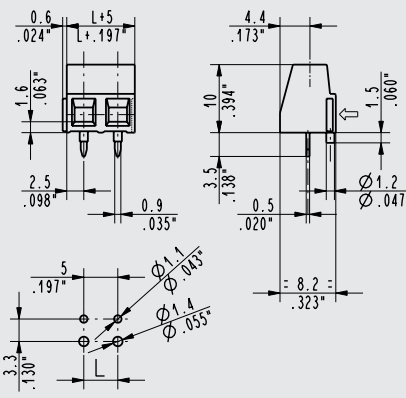
Medium Terminal Block
STRAIGHT

Wire Size	30-13AWG (2.5/1.5 mm ²)		
Operating Temp	230° F (110° C)		
Housing Height	13.5 mm		
Max Current	24A		
Holes Center to Center	5-5.08 mm	7.5-7.62 mm	10-10.16 mm
Max Voltage	300V	750V	750V
Positions	2 to 25	2 to 5 2 to 3	1 to 13

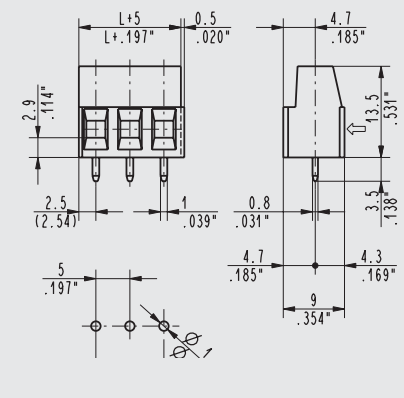
9133 Low Terminal Block, 90°



9103 Low Terminal Block, Straight with Vde Pegs



9104 Medium Terminal Block, Straight



Dimensions are in inches and millimeters unless otherwise specified. Values in parentheses are metric equivalents.



Curtis Industries
A Division of Powers Holdings, Inc.

1-800-657-0853