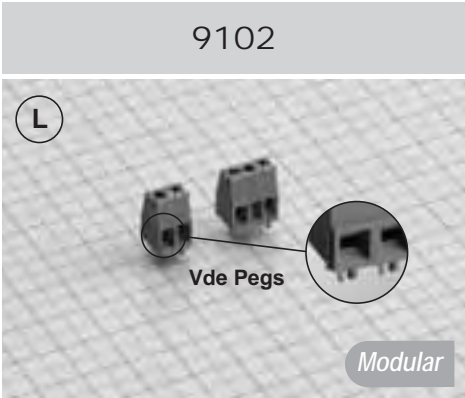


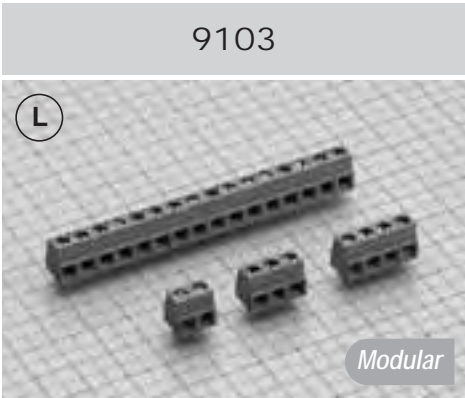
### Low Terminal Block 90°

Wire Size	<b>30-14AWG (1.5/1 mm<sup>2</sup>)</b>	
Operating Temp	<b>230° F (110° C)</b>	
Housing Height	<b>8.2 mm</b>	
Max Current	<b>17.5A</b>	
Holes Center to Center	<b>3.5-3.81 mm</b>	<b>7-7.62 mm</b>
Max Voltage	<b>300V</b>	<b>750V</b>
Positions	<b>2 to 25</b>	<b>1 to 13</b>



### Low Terminal Block STRAIGHT WITH VDE PEGS

Wire Size	<b>30-14AWG (1.5/1 mm<sup>2</sup>)</b>	
Operating Temp	<b>230° F (110° C)</b>	
Housing Height	<b>12.6 mm</b>	
Max Current	<b>17.5A</b>	
Holes Center to Center	<b>3.5-3.81 mm</b>	<b>7-7.62 mm</b>
Max Voltage	<b>300V</b>	<b>750V</b>
Positions	<b>2</b>	<b>2</b>



### Low Terminal Block STRAIGHT

Wire Size	<b>30-15AWG (1.5/1 mm<sup>2</sup>)</b>	
Operating Temp	<b>230° F (110° C)</b>	
Housing Height	<b>10 mm</b>	
Max Current	<b>17.5A</b>	
Holes Center to Center	<b>5-5.08 mm</b>	<b>10-10.16 mm</b>
Max Voltage	<b>300V</b>	<b>750V</b>
Positions	<b>2 to 25</b>	<b>1 to 13</b>

