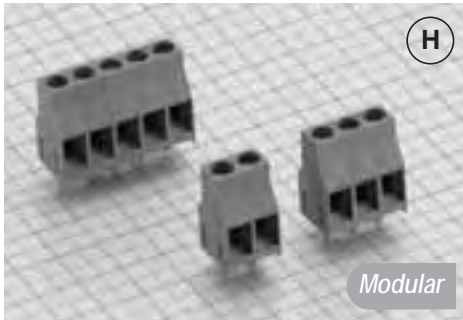


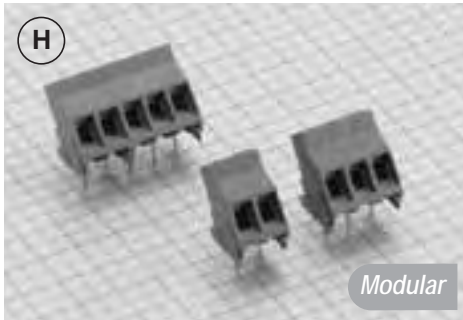
9107



High Terminal Block  
STRAIGHT

Wire Size	30-10AWG (6/4 mm <sup>2</sup> )			
Operating Temp	230° F (110° C)			
Housing Height	21.5 mm			
Max Current	41A			
Holes Center to Center	7.5-7.62mm	6.35 mm	9.52 mm	10-10.16 mm
Max Voltage	750V	450V	750V	750V
Positions	2 to 4	2 to 3	2 to 3	2 to 13

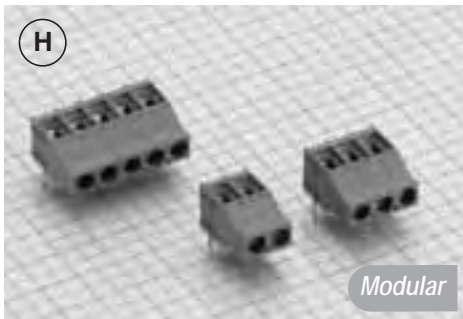
9117



High Terminal Block  
35°

Wire Size	30-10AWG (6/4 mm <sup>2</sup> )	
Operating Temp	230° F (110° C)	
Housing Height	21.5 mm	
Max Current	41A	
Holes Center to Center	6.35 mm	9.52 mm
Max Voltage	450V	750V
Positions	2 to 3	2 to 3

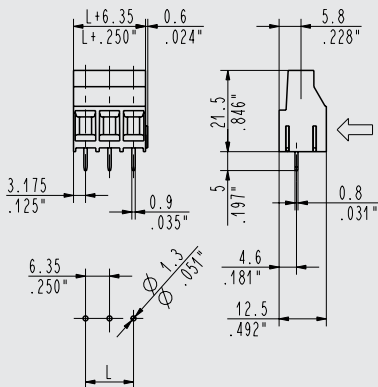
9137



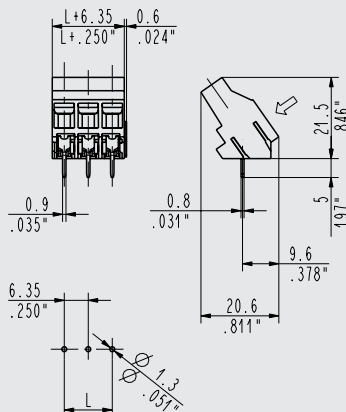
High Terminal Block  
90°

Wire Size	30-10AWG (6/4 mm <sup>2</sup> )	
Operating Temp	230° F (110° C)	
Housing Height	12.5 mm	
Max Current	41A	
Holes Center to Center	6.35 mm	9.52 mm
Max Voltage	450V	750V
Positions	2 to 3	2 to 3

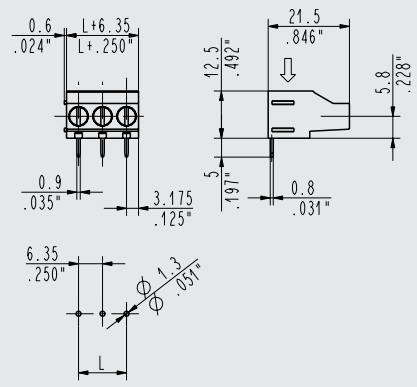
9107 High Terminal Block, Straight



9117 High Terminal Block, 35°



9137 High Terminal Block, 90°



Dimensions are in inches and millimeters unless otherwise specified. Values in parentheses are metric equivalents.



**Curtis Industries**  
A Division of Powers Holdings, Inc.

1-800-657-0853