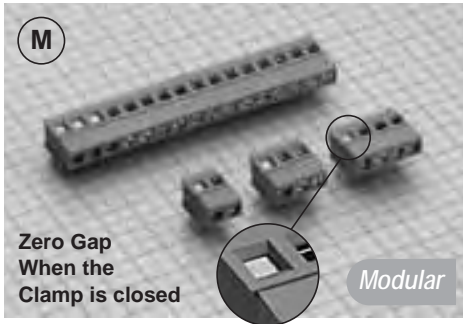


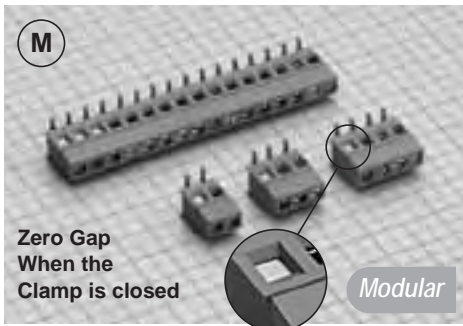
9139



Medium Terminal Block
90° with Zero Gap

Wire Size	30-12AWG (2.5/1.5 mm ²)		
Operating Temp	230° F (110° C)		
Housing Height	9 mm		
Max Current	24A		
Holes Center to Center	5-5.08 mm	7.5-7.62 mm	10-10.16 mm
Max Voltage	300V	750V	750V
Positions	2 to 25	2 to 4 2 to 3	2 to 13

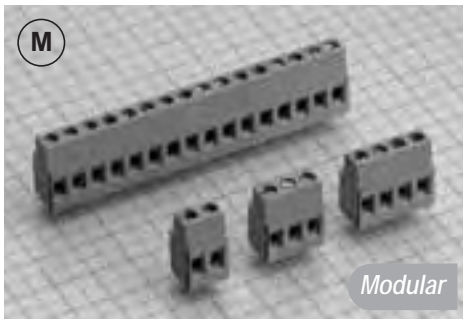
9149



Medium Terminal Block
270° with Zero Gap

Wire Size	30-12AWG (2.5/1.5 mm ²)		
Operating Temp	230° F (110° C)		
Housing Height	9 mm		
Max Current	24A		
Holes Center to Center	5-5.08 mm	7.5-7.62 mm	10-10.16 mm
Max Voltage	300V	750V	750V
Positions	2 to 25	2 to 4 2 to 3	2 to 13

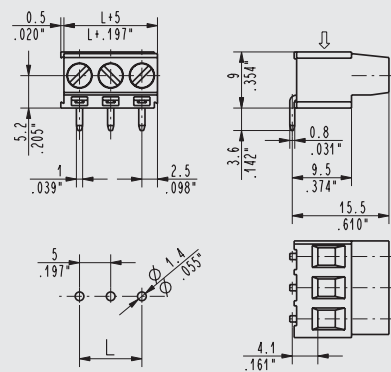
9106



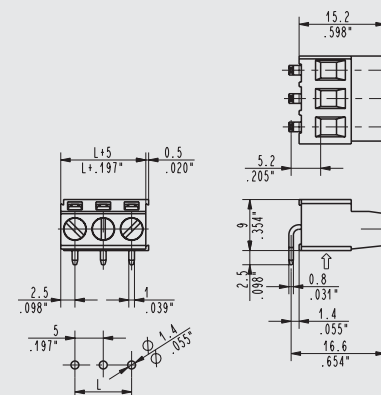
High Terminal Block
STRAIGHT

Wire Size	30-11AWG (4/2.5 mm ²)		
Operating Temp	230° F (110° C)		
Housing Height	19 mm		
Max Current	32A		
Holes Center to Center	5-5.08 mm	7.5-7.62 mm	10-10.16 mm
Max Voltage	300V	750V	750V
Positions	2 to 25	2 to 4 2 to 3	2 to 13

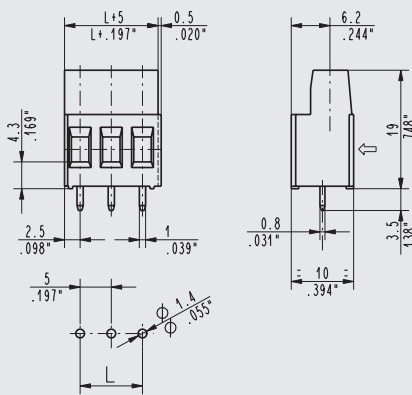
9139 Medium Terminal Block, 90° with Zero Gap



9149 Medium Terminal Block, 270° with Zero Gap



9106 High Terminal Block, Straight



Dimensions are in inches and millimeters unless otherwise specified. Values in parentheses are metric equivalents.



Curtis Industries
A Division of Powers Holdings, Inc.

1-800-657-0853