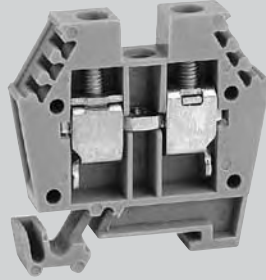


## Screw Connection Single Level

- **Plastic Body:** Polyamide 6.6
- **Internal Bus:** Nickel-plated brass
- **Clamp:** Hardened steel, electro-plated with zinc yellow-chromated
- **Screws:** Steel, zinc-plated and yellow-chromated
- **Marking:** 4 slots on both sides
- **Tracking Resistance:**  
IEC 112: CTI > 600  
VDE 0303: KB > 600

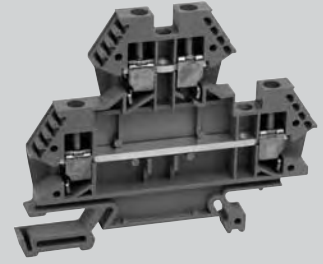
## 6504000 4/15 Mini Feed Through



## Screw Connection Dual Level

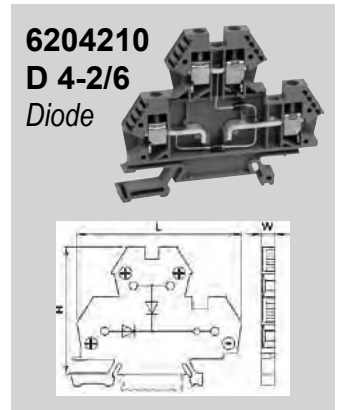
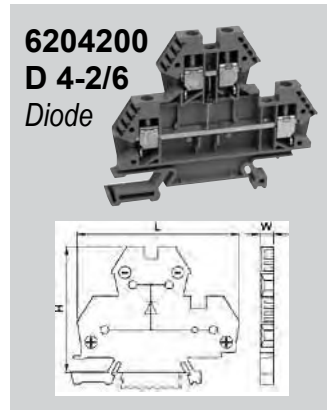
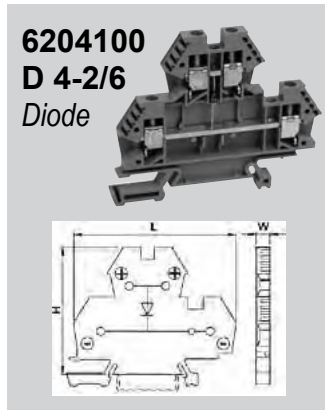
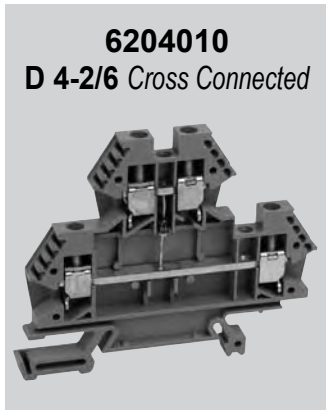
- **Plastic Body:** Polyamide 66.6 VO
- **Internal Bus:** Silver plated copper
- **Clamp:** Hardened steel, electro-plated with zinc yellow chromated
- **Screws:** Steel, zinc plated and yellow chromated
- **Marking:** 4 slots on both sides
- **Tracking Resistance:**  
IEC 112: CTI > 600  
VDE 0303: KB > 600

## 6204000 D 4-2/6 Feed Through



<b>Dimensions</b>	32 mm (L) x 28 mm (H) x 6 mm (W)			<b>Dimensions</b>	72 mm (L) x 55 mm (H) x 6 mm (W)		
<b>Opening</b>	4 x 3.3 mm			<b>Opening</b>	4 x 3.3 mm		
<b>Stripping Length</b>	10 mm			<b>Stripping Length</b>	10 mm		
<b>Screw Thread</b>	M 3			<b>Terminal Screw</b>	M 3		
<b>Central Thread</b>				<b>Terminal Screw</b>	M 3		
<b>Connecting Capacity</b>	Solid conductors mm <sup>2</sup> 0.5-6 Stranded conductors mm <sup>2</sup> 0.5-4			<b>Connecting Capacity</b>	Solid conductors mm <sup>2</sup> 0.5-6 Stranded conductors mm <sup>2</sup> 0.5-4		
<b>Conductors with Ferrules</b>	DIN 46288 / 1 mm <sup>2</sup> 0.5-4			<b>Conductors with Ferrules</b>	DIN 46288 / 1 mm <sup>2</sup> 0.5-4		
<b>Number of Connectable Conductors</b>	4 x 1.5 mm <sup>2</sup>			<b>Number of Connectable Conductors</b>	4 x 1.5 mm <sup>2</sup>		
<b>Approvals</b>				<b>Approvals</b>			
<b>Wire Range</b>	24-10 AWG	24-10 AWG	4 mm <sup>2</sup>	<b>Wire Range</b>	24-10 AWG	24-10 AWG	4 mm <sup>2</sup>
<b>Voltage Rating</b>	300V	300V	400V	<b>Voltage Rating</b>	600V	600V	800V
<b>Current Rating</b>	30A	30A	32A	<b>Current Rating</b>	30A	30A	32A
<b>Tightening Torque</b>	Max. 0.6 Nm			<b>Tightening Torque</b>	Max. 0.6 Nm		
<b>Gauges</b>	A4			<b>Gauges</b>	A4		
<b>ACCESSORIES</b>	<b>Cat. No.</b>			<b>ACCESSORIES</b>	<b>Cat. No.</b>		
<b>Available Colors</b>	6504000 – Gray 6504001 – Blue 6504002 – Black 6504004 – Yellow-Green 6504005 – Green 6504006 – Yellow 6504007 – Orange 6504008 – Red			<b>Available Colors</b>	6204000 – Gray 6204001 – Blue 6204002 – Black 6204003 – Brown 6204004 – Yellow-Green 6204005 – Green 6204006 – Yellow 6204007 – Orange 6204008 – Red 6204009 – White		
<b>End Plate</b> Qty. pk. 10	6800017 – 44 mm (L) x 35 mm (H) x 1.5 mm (W)			<b>End Plate</b> Qty. pk. 10	6800014 – 72 mm (L) x 55 mm (H) x 1.5 mm (W)		
<b>Separator</b> Qty. pk. 100				<b>Cover</b> Qty. pk. 100	6800080 – 36 mm (L) x 14 mm (H) x 6 mm (W)		
<b>Cover</b> Qty. pk. 100	6800081 – 47 mm (L) x 24.5 mm (H) x 4.8 mm (W)			<b>Jumper-Bar Package</b>	6800190 – .5M Jumper Bar		
<b>Jumper-Bar Package</b>	6800190 – .5M Jumper Bar			<b>Jumpers 2 pole</b>	6800182 – 100 pieces		
<b>Jumpers 2 pole</b>	6800182 – 100 pieces			<b>3 pole</b>	6800183 – 100 pieces		
<b>3 pole</b>	6800183 – 100 pieces			<b>4 pole</b>	6800184 – 100 pieces		
<b>4 pole</b>	6800184 – 100 pieces			<b>End Bracket</b> Qty. pk. 100	6804150 – 58 mm (L) x 36 mm (H) x 9 mm (W)		
<b>End Bracket</b> Qty. pk. 100	6804500 – 25 mm (L) x 16 mm (H) x 7 mm (W)			<b>Test plug adapter (red)</b>	6800501		
				<b>Test plug adapter (black)</b>	6800500		





**6204010**  
D 4-2/6 Cross Connected

72 mm (L) x 55 mm (H) x 6 mm (W)

4 x 3.3 mm

10 mm

M 3

**6204100**  
D 4-2/6 Diode

72 mm (L) x 55 mm (H) x 6 mm (W)

4 x 3.3 mm

10 mm

M 3

**6204200**  
D 4-2/6 Diode

72 mm (L) x 55 mm (H) x 6 mm (W)

4 x 3.3 mm

10 mm

M 3

**6204210**  
D 4-2/6 Diode

72 mm (L) x 55 mm (H) x 6 mm (W)

4 x 3.3 mm

10 mm

M 3

Solid conductors mm<sup>2</sup> 0.5-6  
Stranded conductors mm<sup>2</sup> 0.5-4

DIN 46288 / 1 mm<sup>2</sup> 0.5-4

4 x 1.5 mm<sup>2</sup>

Solid conductors mm<sup>2</sup> 0.5-6  
Stranded conductors mm<sup>2</sup> 0.5-4

DIN 46288 / 1 mm<sup>2</sup> 0.5-4

4 x 1.5 mm<sup>2</sup>

Solid conductors mm<sup>2</sup> 0.5-6  
Stranded conductors mm<sup>2</sup> 0.5-4

DIN 46288 / 1 mm<sup>2</sup> 0.5-4

4 x 1.5 mm<sup>2</sup>

Solid conductors mm<sup>2</sup> 0.5-6  
Stranded conductors mm<sup>2</sup> 0.5-4

DIN 46288 / 1 mm<sup>2</sup> 0.5-4

4 x 1.5 mm<sup>2</sup>

24-10 AWG	24-10 AWG	4 mm <sup>2</sup>
600V	600V	800V
30A	30A	32A

24-10 AWG	24-10 AWG	4 mm <sup>2</sup>

24-10 AWG	24-10 AWG	4 mm <sup>2</sup>

24-10 AWG	24-10 AWG	4 mm <sup>2</sup>
600V	600V	800V
30A	30A	32A

Max 0.6 Nm

A4

**Cat. No.**

Max 0.6 Nm

A4

**Cat. No.**

Max 0.6 Nm

A4

**Cat. No.**

Max. 0.6 Nm

A4

**Cat. No.**

**6204010** – Gray  
**6204011** – Blue  
**6204014** – Yellow-Green  
**6204016** – Yellow

**6204100** – Gray  
**6204101** – Blue

**6204110** – Gray  
**6204111** – Blue

**43475** – Gray  
Call for P/N – Blue  
Call for P/N – Yellow

<b>6800014</b> – 72 mm (L) x 55 mm (H) x 1.5 mm (W)
<b>6800080</b> – 36 mm (L) x 14 mm (H) x 6 mm (W)
<b>6800190</b> – .5M Jumper Bar
<b>6800182</b> – 100 pieces
<b>6800183</b> – 100 pieces
<b>6800184</b> – 100 pieces
<b>6804150</b> – 58 mm (L) x 36 mm (H) x 9 mm (W)
<b>6800501</b>
<b>6800500</b>

<b>6800014</b> – 72 mm (L) x 55 mm (H) x 1.5 mm (W)
<b>6800080</b> – 36 mm (L) x 14 mm (H) x 6 mm (W)
<b>6800190</b> – .5M Jumper Bar
<b>6800182</b> – 100 pieces
<b>6800183</b> – 100 pieces
<b>6800184</b> – 100 pieces
<b>6804150</b> – 58 mm (L) x 36 mm (H) x 9 mm (W)
<b>6800501</b>
<b>6800500</b>

<b>6800014</b> – 72 mm (L) x 55 mm (H) x 1.5 mm (W)
<b>6800080</b> – 36 mm (L) x 14 mm (H) x 6 mm (W)
<b>6800190</b> – .5M Jumper Bar
<b>6800182</b> – 100 pieces
<b>6800183</b> – 100 pieces
<b>6800184</b> – 100 pieces
<b>6804150</b> – 58 mm (L) x 36 mm (H) x 9 mm (W)
<b>6800501</b>
<b>6800500</b>

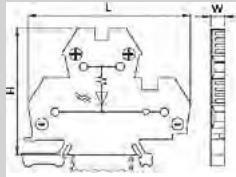
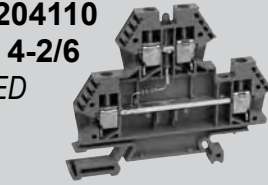
<b>6800014</b> – 72 mm (L) x 55 mm (H) x 1.5 mm (W)
<b>6800080</b> – 36 mm (L) x 14 mm (H) x 6 mm (W)
<b>6800190</b> – .5M Jumper Bar
<b>6800182</b> – 100 pieces
<b>6800183</b> – 100 pieces
<b>6800184</b> – 100 pieces
<b>6804150</b> – 58 mm (L) x 36 mm (H) x 9 mm (W)
<b>6800501</b>
<b>6800500</b>



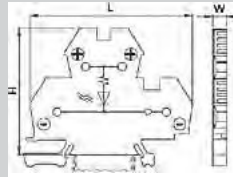
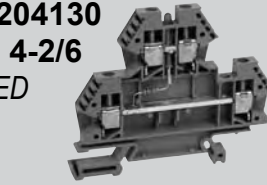
## Screw Connection Dual Level

- **Plastic Body:** Polyamide 66.6 VO
- **Internal Bus:** Silver plated copper
- **Clamp:** Hardened steel, electro-plated with zinc yellow chromated
- **Screws:** Steel, zinc plated and yellow chromated
- **Marking:** 4 slots on both sides
- **Tracking Resistance:**  
IEC 112: CTI > 600  
VDE 0303: KB > 600

### 6204110 D 4-2/6 LED



### 6204130 D 4-2/6 LED



## Screw Connection Triple Level

- **Plastic Body:** Polyamide 66.6 VO
- **Internal Bus:** Silver-plated copper
- **Clamp:** Nickel-plated brass
- **Screws:** Zinc plated and yellow-chromated steel
- **Tracking Resistance:**  
IEC 112: CTI > 600  
VDE 0303: KB > 600

### Dimensions

### Stripping Length

### Connecting Capacity

### Number of Connectable Conductors

### Approvals

### Wire Range

### Voltage Rating

### Current Rating

### Tightening Torque

### Gauges

### ACCESSORIES

### Available Colors

### End Plate Qty. pk. 25

**Jumpers** 2 pole / Blue  
3 pole / Blue  
4 pole / Blue  
12-Pole / Blue  
2 pole / Red  
3 pole / Red  
4 pole / Red  
12-Pole / Red

### End Bracket Qty. pk. 50

### Dimensions

72 mm (L) x 55 mm (H) x  
6 mm (W)

### Opening

4 x 3.3 mm

### Stripping Length

10 mm

### Screw Thread

M 3

### Rating

3, 4 K / 12-24V

### Connecting Capacity

Solid conductors mm<sup>2</sup> 0.5-6  
Stranded conductors  
mm<sup>2</sup> 0.5-4

### Conductors with Ferrules

DIN 46288 / 1 mm<sup>2</sup> 0.5-4

### Number of Connectable Conductors

4 x 1.5 mm<sup>2</sup>

### Approvals



### Wire Range

24-10 AWG | 24-10 AWG | 4 mm<sup>2</sup>

### Voltage Rating

### Current Rating

### Tightening Torque

Max 0.6 Nm

### Gauges

A4

### ACCESSORIES

### Cat. No.

**End Plate**  
Qty. pk. 10

**6800014** – 72 mm (L) x  
55 mm (H) x 1.5 mm (W)

**Cover**  
Qty. pk. 100

**6800080** – 36 mm (L) x  
14 mm (H) x 6 mm (W)

**End Bracket**  
Qty. pk. 100

**6804150** – 58 mm (L) x  
36 mm (H) x 9 mm (W)

72 mm (L) x 55 mm (H) x  
6 mm (W)

4 x 3.3 mm

10 mm

M 3

34 K / 119V

Solid conductors mm<sup>2</sup> 0.5-6  
Stranded conductors  
mm<sup>2</sup> 0.5-4

DIN 46288 / 1 mm<sup>2</sup> 0.5-4

4 x 1.5 mm<sup>2</sup>



24-10 AWG | 24-10 AWG | 4 mm<sup>2</sup>

Max 0.6 Nm

A4

### Cat. No.

**6800014** – 72 mm (L) x  
55 mm (H) x 1.5 mm (W)

**6800080** – 36 mm (L) x  
14 mm (H) x 6 mm (W)

**6804150** – 58 mm (L) x  
36 mm (H) x 9 mm (W)

